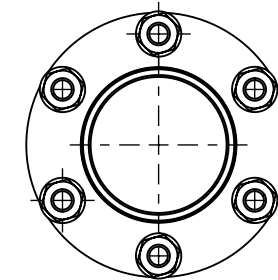
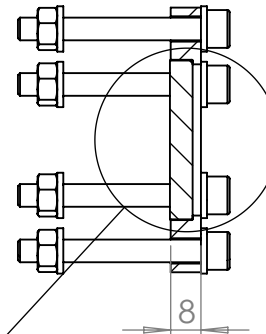
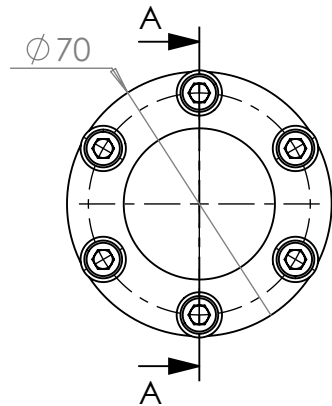


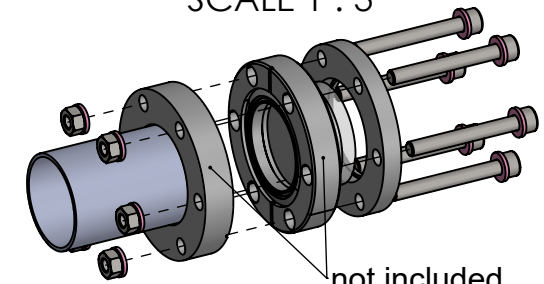
| POS. NO. | DESCRIPTION | MATERIAL | QTY |
|----------|-------------------|-----------------|-----|
| 1 | screws M6x50 | Stainless Steel | 6 |
| 2 | Washer M6 | Stainless Steel | 12 |
| 3 | union flange DN40 | 1.4404 (316L) | 1 |
| 4 | lead Glass disk | | 1 |
| 5 | Hexagon Nut M6 | Stainless Steel | 6 |

SECTION A-A

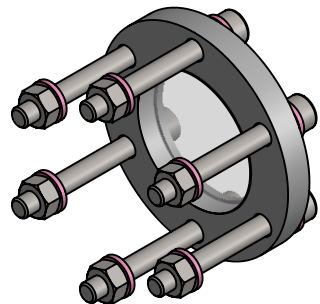
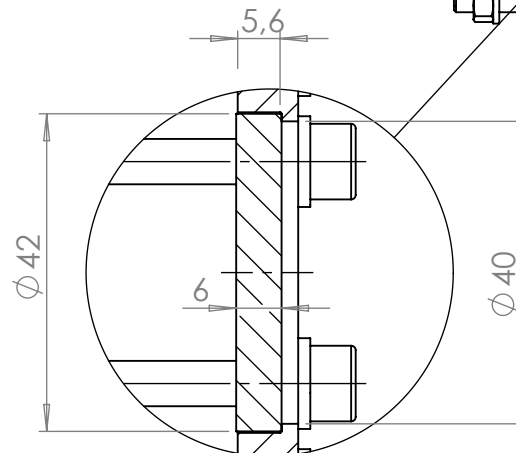


connection pattern

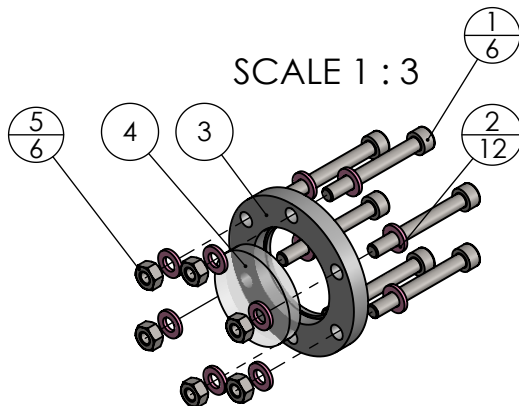
SCALE 1 : 3



DETAIL B
Custom 1 : 1



SCALE 1 : 3



no leakcheck required
Definition Leckprüfung (definon leak check)

| | | | | | | | | | |
|----------------------------------------------------------------------------------------------------------------------------------------------------------------------------------------------------------------------------------------------------------------------------------------------------------------------------------------------------------|--|------------------------------------|--|--------------------------------|--|---------------------------------------------------|--|------------|--|
| Zeichnung Nutzung (SCOPE OF DRAWING) Drawing external usage for customer | | Prüfung Zubehör. (CON + HSG CHECK) | | Bemerkung (REMARKS) | | Kanten (EDGES) | | PROJECTION | |
| All informations provided in this drawing is considered to be confidential, proprietary and secret information. It is intended only for the use of individual or entity to whom it is sent. Individual or entity agrees to not disseminate or copy this information to anyone other than originally specified without the written consent Allectra GmbH. | | Werkstoff (MATERIAL): | | Gewicht (WEIGHT): | | Toleranz (TOLERANCE) | | | |
| | | Oberfläche (SURFACE) | | Maßstab (SCALE): | | Format. (FORM) | | | |
| Cleaned UHV- Compatible | | 1:2 | | A4 | | 1 | | 1 | |
| Rauheit (ROUGHNESS) | | √ | | Benennung (DESCRIPTION): | | | | | |
| name: Allectra standard | | DATE: 11.04.2024 | | NAME: AD | | lead Glass (protection screen) for flange DN40 CF | | | |
| (drw/doc/sketch) | | Design: 15.04.2024 | | AD | | | | | |
| date | | Check: 16.04.2024 | | JB | | | | | |
| 00 first origin | | Approv: 17.04.2024 | | AD | | Zeich. Nr. (Drw. No.): | | REV | |
| | | | | | | 140-LG-C40 | | 00 | |
| REV Beschreibung (CHANGING) | | gesp. am (SAVE DAT.): 17.04.2024 | | Art. Nr. (PART NO.) 140-LG-C40 | | | | | |

