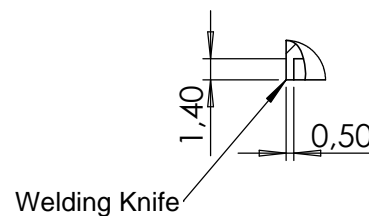
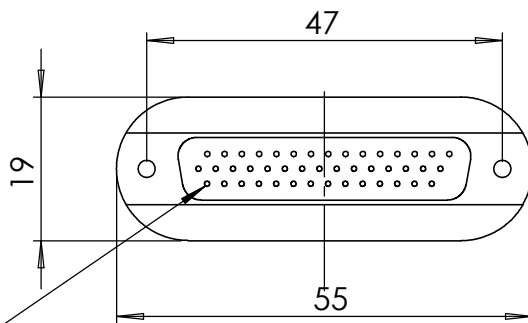
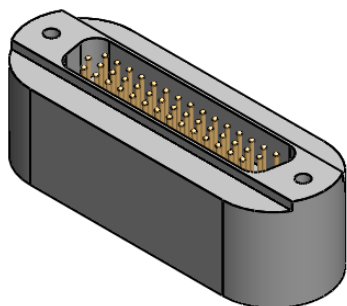


DETAIL A
MAßSTAB 2 : 1



44 of ϕ 0.7



Bemerkungen (Remarks)				Freimaßtoleranz (Standard Toleranz)		Maßstab (Scale)	Rauheit (Roughness)		europ.Projektion			
All informations provided in this drawing is considered to be confidential, proprietary and secret information. If is intended only for the use of individual or entity to whom it is sent. Individual or entity agrees to not disseminate or copy this information to anyone other than originally specified without the written consent Allectra GmbH.						1:1						
				Datum							Material, Standard Oberfläche (Treatment)	
				Design			Bezeichnung (Title)		High Density 44 pin SUB-D F/T weldable		Kanten (edges)	
				Drawn			Gewicht (weight)				g	
Check		22.01.2015				Page:		Pages:				
								2		3		
								Zeichnungsnummer (Drawing No.)		Revision		
								218-HD44-SS				
Index				Modification		Datum		Name		Format A4		
								Datei (File)		C:\PDMStore\IC\PDMStore\		

