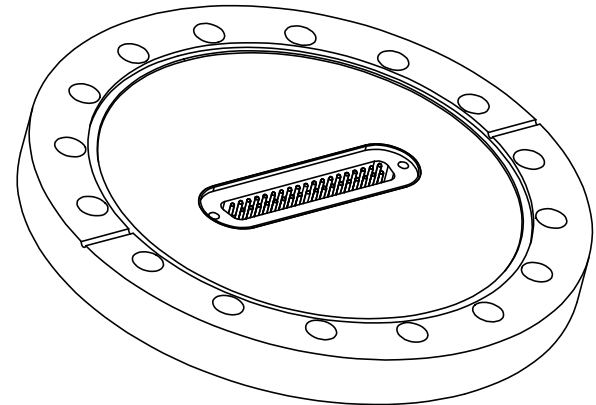
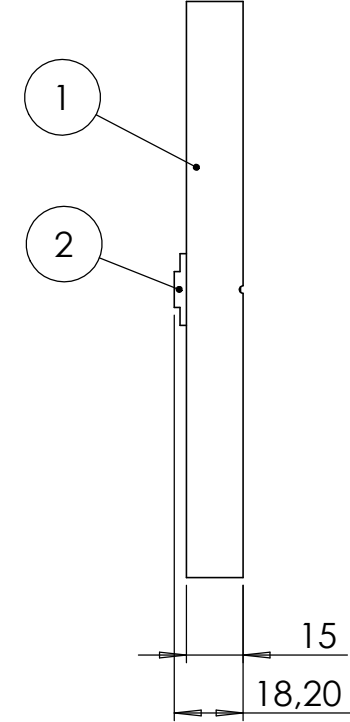
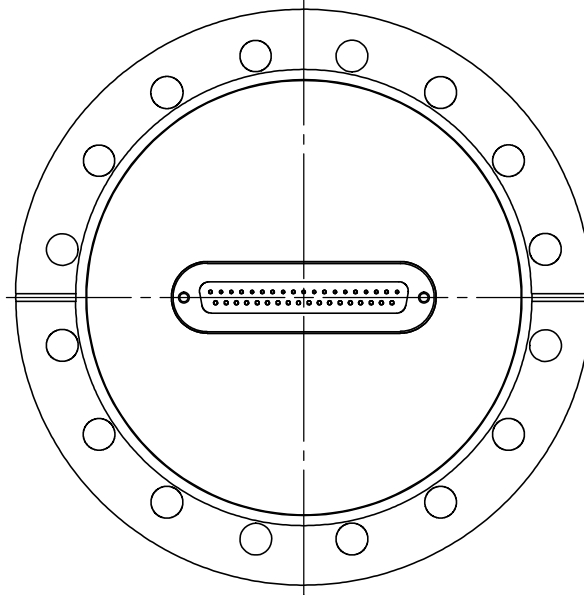


POS-NR.	DESCRIPTION	QTY
1	Modified flange DN100 CF	1
2	37 pin SUB-D F/T weldable type	1



Bemerkungen (Remarks)				Freimaßtoleranz (Standard Toleranz)		Maßstab (Scale)	Rauheit (Roughness)		europ.Projektion	
All informations provided in this drawing is considered to be confidential, proprietary and secret information. If is intended only for the use of individual or entity to whom it is sent. Individual or entity agrees to not disseminate or copy this information to anyone other than originally specified without the written consent Allectra GmbH.						1:2				
				Material, Standard						
				Datum		Name		Kanten (edges)		
				Design		JB				
				Drawn		JB				
				Check				Gewicht (weight) g		
								1940.84		
								Page: 1 Pages: 1		
								Revision 00		
Index				Modification		Datum		Name		
								Zeichnungsnummer (Drawing No.) 210-D37-C100		
								Datei (File) C:\PDMStore\IC\PDMStore\		
								Format A4		