



RD91 Primary Rotary Drive

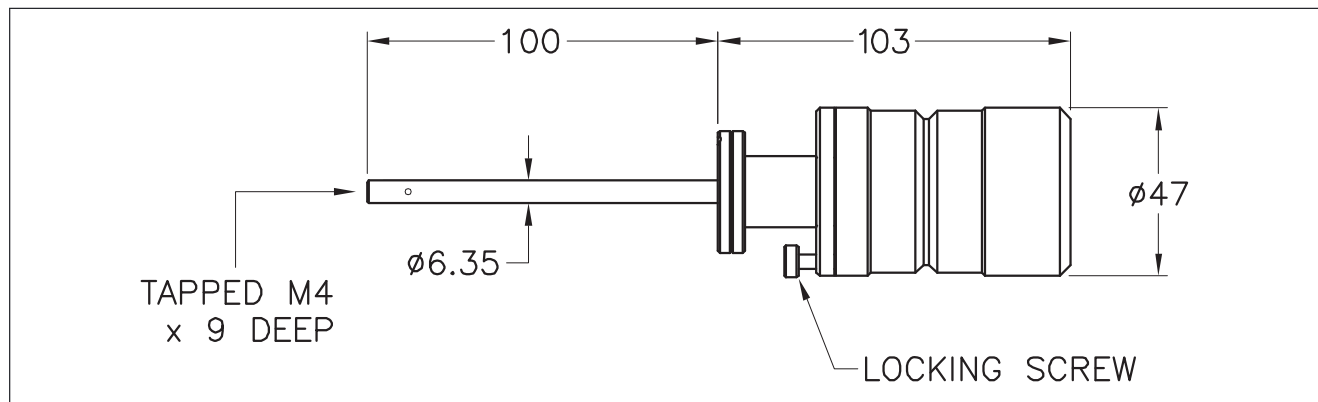
The VACGEN RD91 is a 34mm OD mini high precision rotary drive with a graduated handwheel and locking screw



Product Overview

- Mounting flange 34mm OD
- Up to 500rpm
- High precision
- Continuous rotation
- High speed, low torque
- Angular resolution 1°
-

RD91 manual operation



RD91 Series Miniature Rotary Drives

Flange OD mm	Type of Operation	Resolution Degrees	Torque Nm 500 rpm	Torque Nm 10 rpm	Load	Gear Ratio	Order Code
34	Manual	1 degrees	0.1 Nm	0.5 Nm	10 N	-	ZRD91