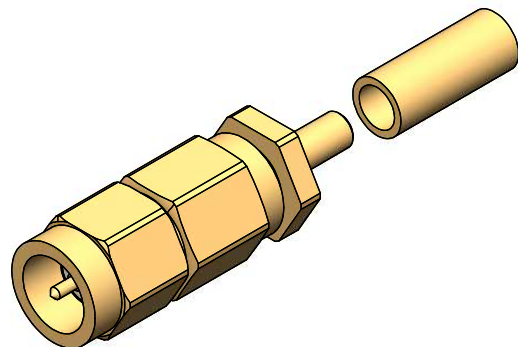
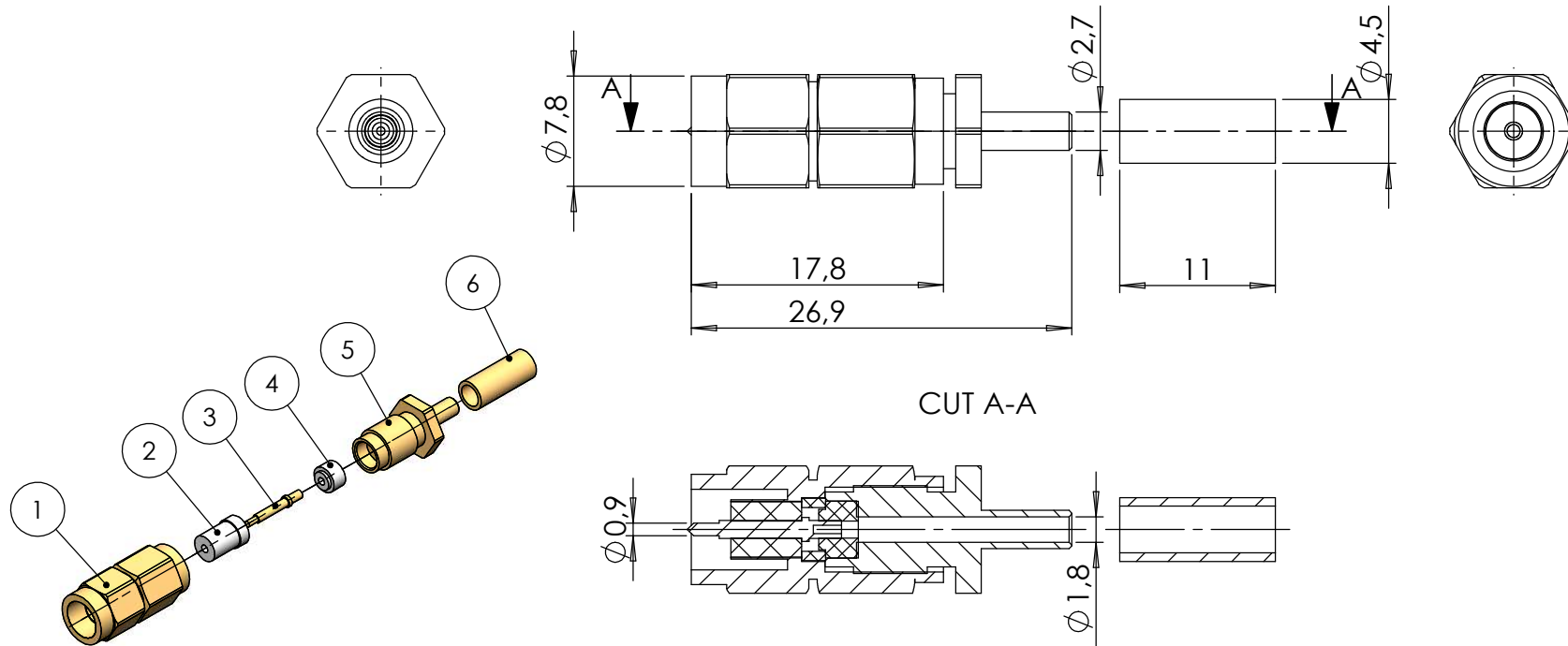


POS-NR.	DESCRIPTION	MATERIAL	QTY
1	con- front part	SS-Gold Plated	1
2	front part PTFE male V3	PTFE	1
3	SMA PIN	SS-Gold Plated	1
4	back part PTFE male V3	PTFE	1
5	con-back part	SS-Gold Plated	1
6	crimp tube	SS-Gold Plated	1



Bemerkungen (Remarks)				Freimaßtoleranz (Standard Toleranz)		Maßstab (Scale)	Rauheit (Roughness)	europ.Projektion	
All informations provided in this drawing is considered to be confidential, proprietary and secret information. If is intended only for the use of individual or entity to whom it is sent. Individual or entity agrees to not disseminate or copy this information to anyone other than originally specified without the written consent Alletra GmbH.						2:1			
				Datum		Name		Material, Standard Oberfläche (Treatment)	Kanten (edges)
				Design		19.05.2020	AD		Bezeichnung (Title) SMA connector, PTFE V3
Drawn		20.05.2020	AD		Page: 1	Pages: 1			
Check					Zeichnungsnummer (Drawing No.) 245-CON-SMA-V3		Revision		
Index		Modification	Datum	Name			Datei (File) C:\PDM-Store\C:\PDM-Store\		
							Format A4		