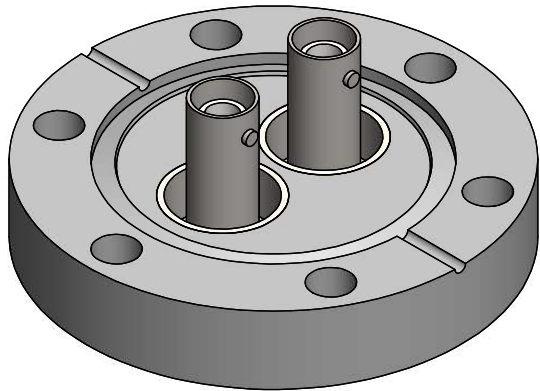
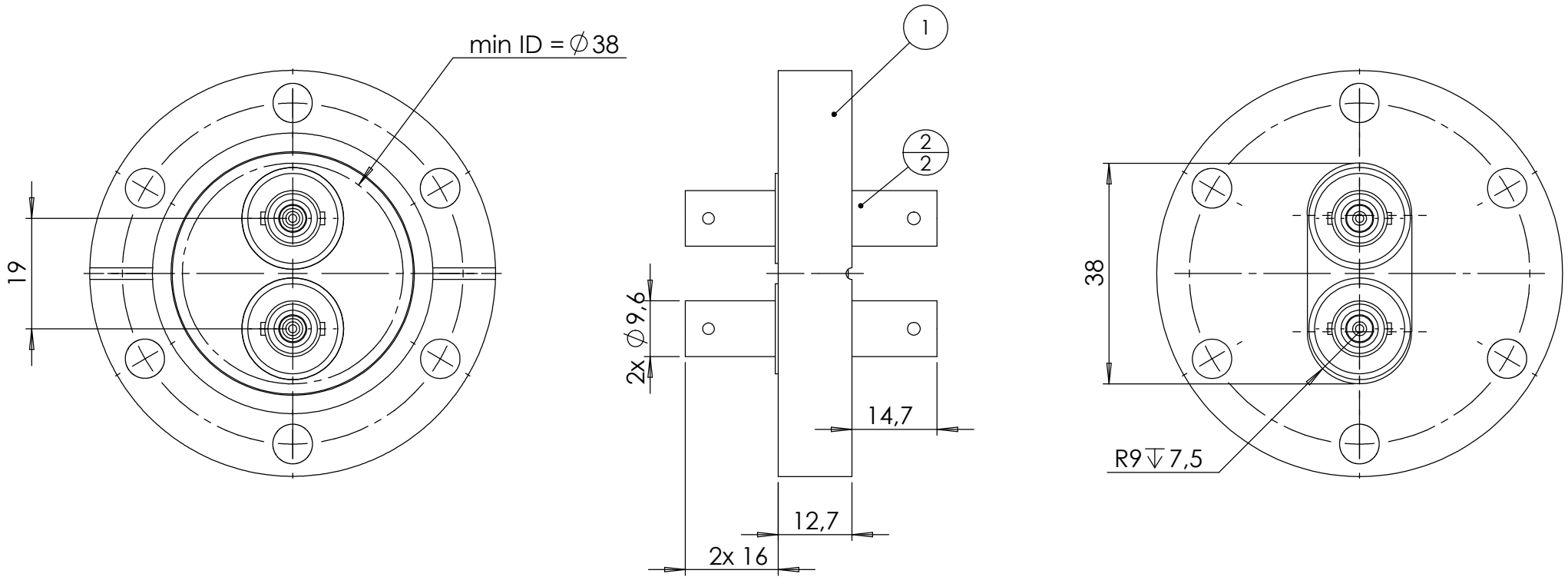


POS-NR.	DESCRIPTION	MATERIAL	QTY
1	modified flange DN40 CF	1.4404 (316L)	1
2	coaxial f/t SHVDF, 50 Ohm	stainless steel	2



Bemerkungen (Remarks)				Freimaßtoleranz (Standard Toleranz)		Maßstab (Scale)	Rauheit (Roughness)	europ. Projektion	
All informations provided in this drawing is considered to be confidential, proprietary and secret information. It is intended only for the use of individual or entity to whom it is sent. Individual or entity agrees to not disseminate or copy this information to anyone other than originally specified without the written consent Allectra GmbH.				Datum		Name	$\sqrt{\quad}$ Material, Standard Oberfläche (Treatment)		
								Design 29.06.2020 AD	
				Drawn 29.06.2020 AD		Bezeichnung (Title) <b>2 off SHVDF50 f/t            on flange DN40 CF</b>	Gewicht (weight) <b>g</b>		
				Check			340.86		
							Page: <b>1</b>	Pages: <b>1</b>	
							Zeichnungsnummer (Drawing No.) <b>242-SHVDF50-C40-2</b>		Revision
Index	Modification	Datum	Name	Datei (File) C:\PDM-Store\C\PDM-Store\			Format <b>A4</b>		