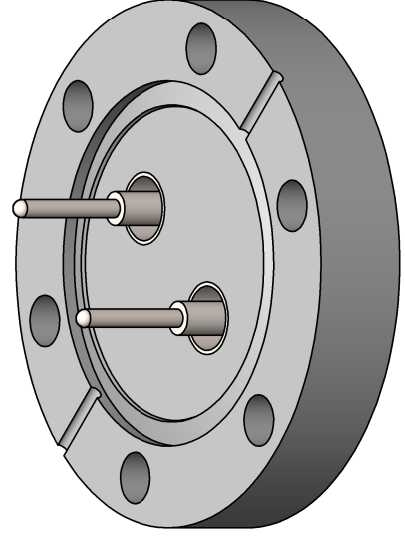
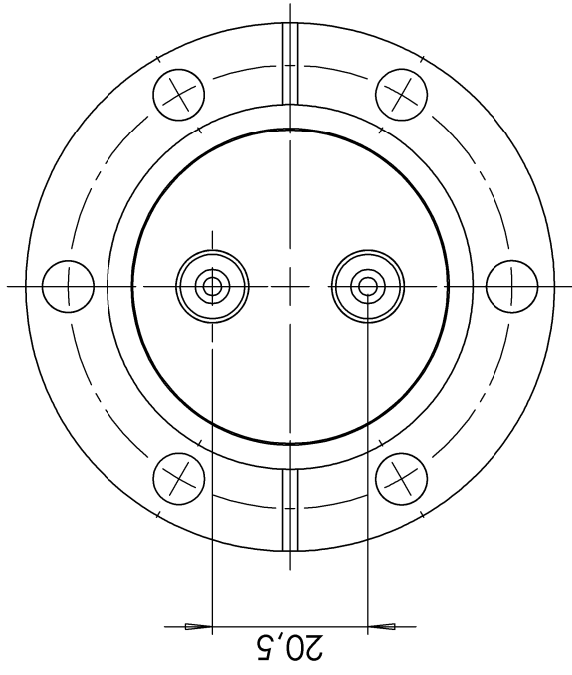
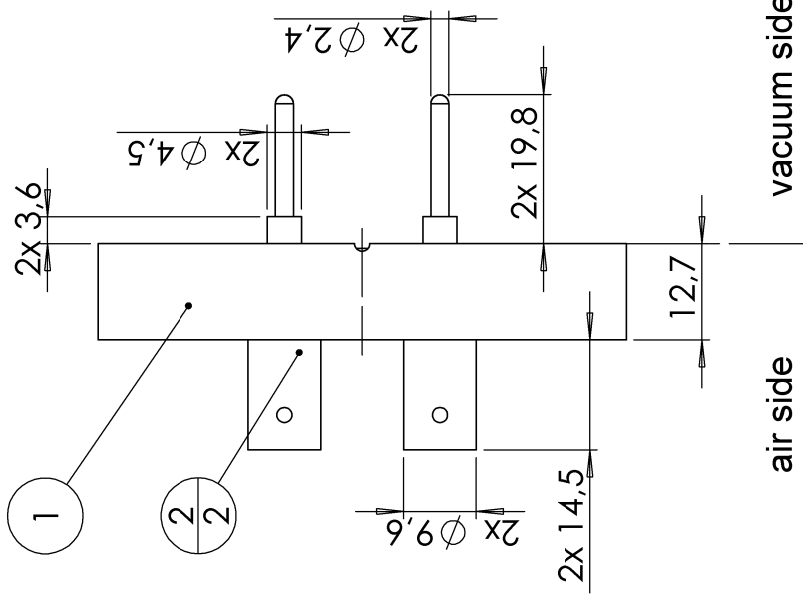
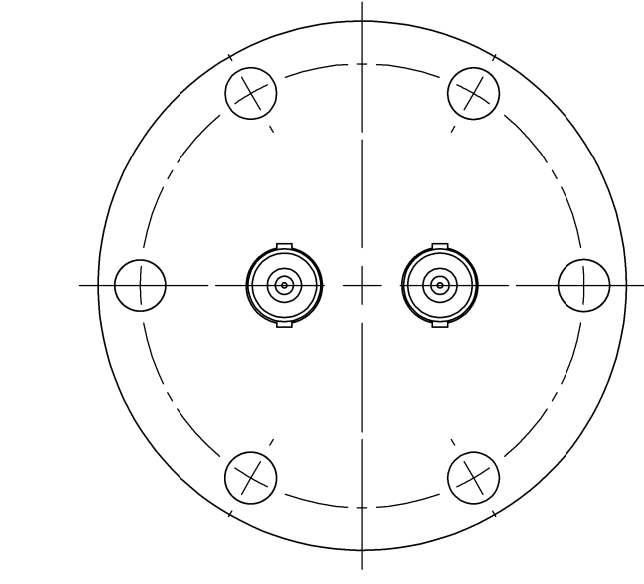


POS-NR.	DESCRIPTION	MATERIAL	QTY
1	modified flange DN40 CF	1.4404 (316L)	1
2	coaxial f/t, type MHV, 50 Ohm, 5kV, 3A, grounded shield, weldtable	Stainless Steel	2



Bemerkungen (Remarks)		Freimaßtoleranz (Standard Toleranz)	Maßstab (Scale)	Rauheit (Roughness)	europ. Projektion
All informations provided in this drawing is considered to be confidential, proprietary and secret information. It is intended only for the use of individual or entity to whom it is sent. Individual or entity agrees to not disseminate or copy this information to anyone other than originally specified without the written consent Allectra GmbH.		Design	02.06.2021	$\sqrt{\text{ }}$	
		Drawn	02.06.2021		
		Check		Material, Standard Oberfläche (Treatment)	Konten (edges)
		Zeichnungsnummer (Drawing No.) 242-MHV50-C40-2 Bezeichnung (Title) 2 off coaxial f/t type MHV, 50 Ohm on flange DN40 CF Gewicht (weight) 354.60 Page: 1 1		Datum	Name
Index	Modification	Datum	Name	Zeichnungsnummer (Drawing No.) 242-MHV50-C40-2 Revision	
				Datei (File) c:\ppm\store\c:\ppm\store\	
				Format A4	