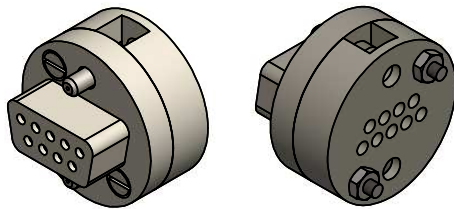
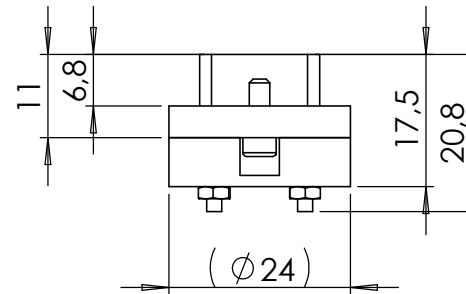
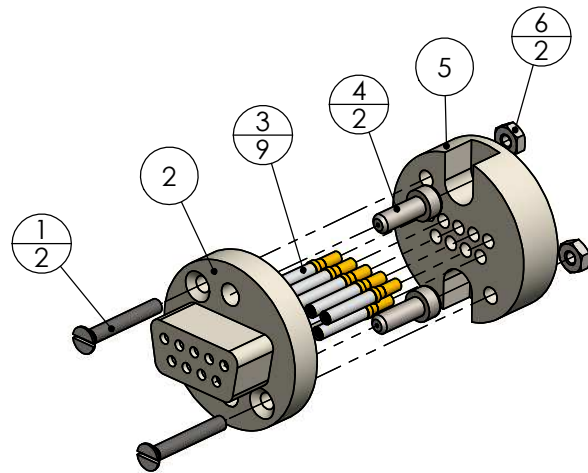
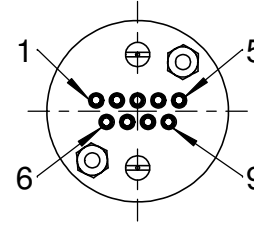
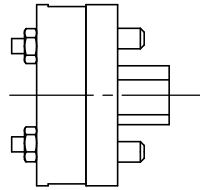
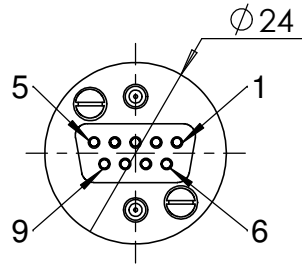


POS-NR.	DESCRIPTION	MATERIAL	QTY
1	Countersunk Screw M2X14	Stainless Steel	2
2	front plate for SUB-D 9 pin-SX	PEEK (Natur)	1
3	Standard SUB-D Crimp Pin	Copper Alloy Gold plated	9
4	screw UNC 4-40-5/16	Stainless Steel	2
5	back plate for SUB-D 9 Pin-SX	PEEK	1
6	Hexagon Nut M2 DIN934	Stainless Steel	2



Bemerkungen (Remarks)				Freimaßtoleranz (Standard Toleranz)		Maßstab (Scale)	Rauheit (Roughness)	europ.Projektion			
All informations provided in this drawing is considered to be confidential, proprietary and secret information. If is intended only for the use of individual or entity to whom it is sent. Individual or entity agrees to not disseminate or copy this information to anyone other than originally specified without the written consent Allectra GmbH.				Datum		Name	Material, Standard Oberfläche (Treatment)	Kanten (edges)			
										Design 27.09.2019 AD	
				Drawn 07.11.2019 AD			Bezeichnung (Title)		Gewicht (weight) g		
									10.06		
				Check			UHV connector 9 pin (female) standard SUB-D		Page: 1 Pages: 1		
									Revision		
Index				Modification		Datum		Name		Zeichnungsnummer (Drawing No.)	
										211-FS09-PK-SX	
						Datei (File) C:\PDMStore\C:\PDMStore\		Format A4			
										allectra	