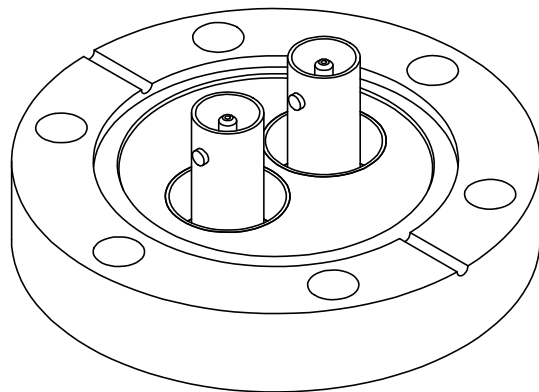
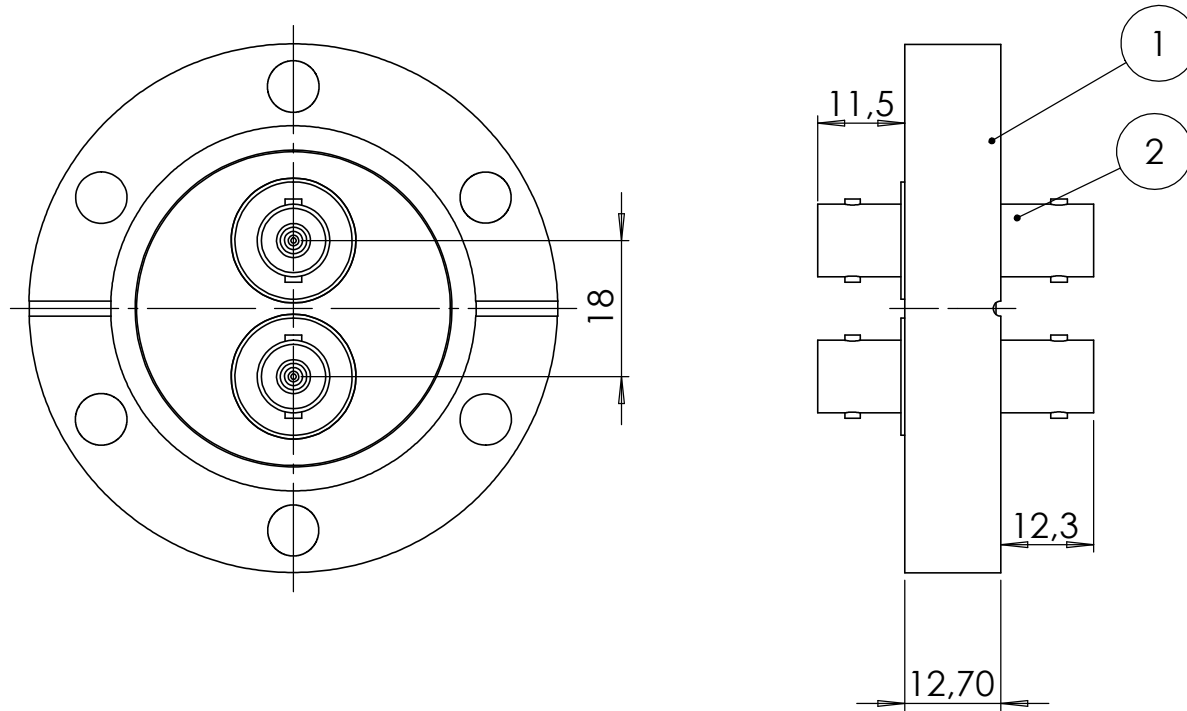


POS-NR.	DESCRIPTION	MATERIAL	QTY
1	Modified Flange DN40 CF	1.4404	1
2	Coaxial Feedthrough BNC double Sided Floating Shield	Stainless Steel	2



including Air Side Connectors

Bemerkungen (Remarks)				Freimaßtoleranz (Standard Toleranz)		Maßstab (Scale)	Rauheit (Roughness)		europ.Projektion		
All informations provided in this drawing is considered to be confidential, proprietary and secret information. If is intended only for the use of individual or entity to whom it is sent. Individual or entity agrees to not disseminate or copy this information to anyone other than originally specified without the written consent Allectra GmbH.				Datum		Name	Material, Standard Oberfläche (Treatment)		Kanten (edges)		
											Gewicht (weight)
				Design	18.07.2014	JB	Bezeichnung (Title) 2 of BNCDF50 F/T onto Flange DN40 CF		g		
				Drawn	18.07.2014	JB			304.74		
				Check					Page: 1 Pages: 1		
Index				Modification		Datum		Name		Revision	
										Format A4	
								Zeichnungsnummer (Drawing No.) 242-BNCDF50-C40-2			
								Datei (File) C:\PDMStore\C\PDMStore\			

