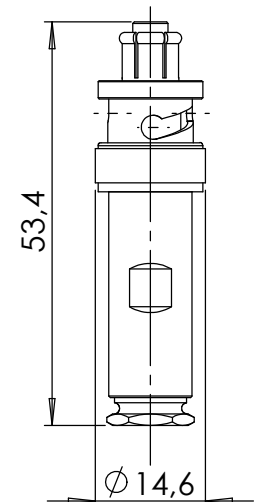
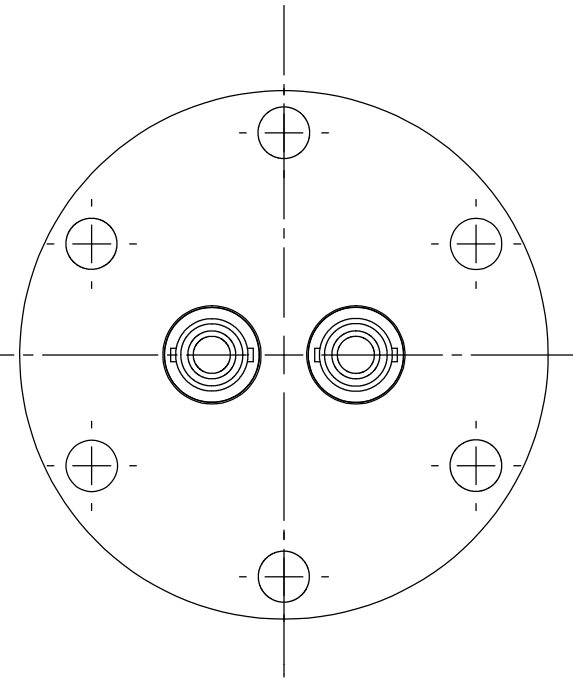
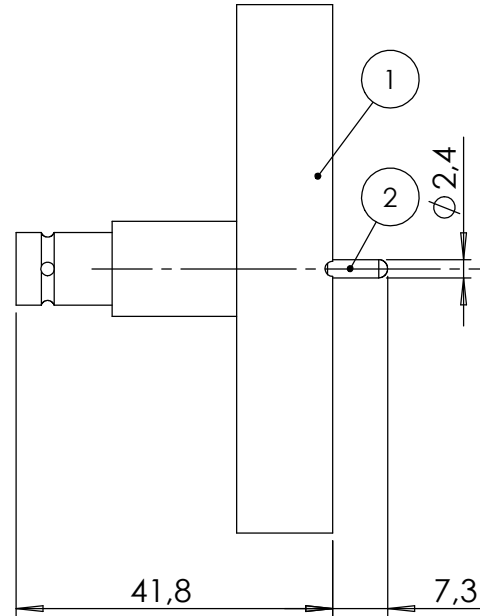
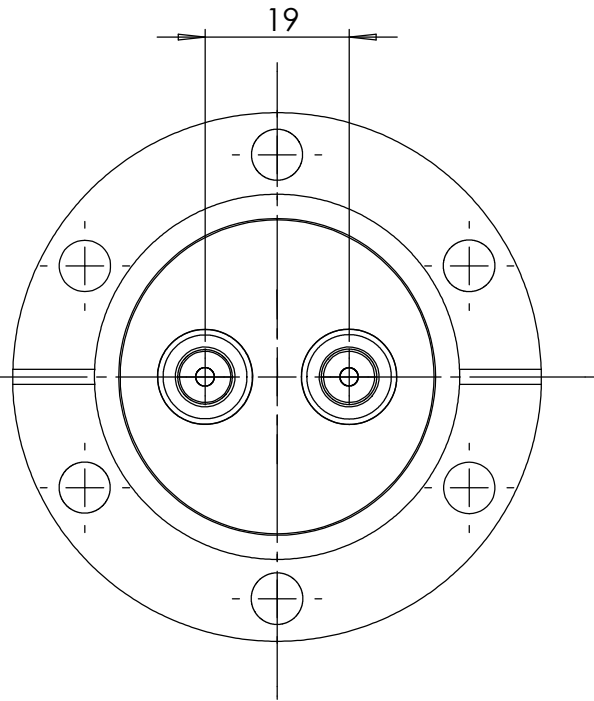


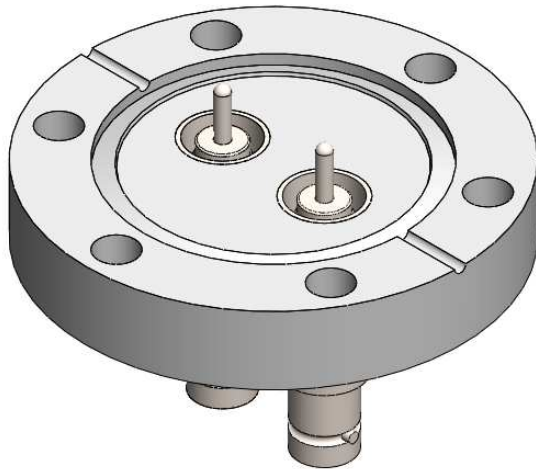
POS-NR.	DESCRIPTION	MATERIAL	QTY
1	modified flange DN40 CF	1.4301 (304)	1
2	SHV f/t 5KV DC / 5A max	Stainless Steel	2



air side

vacuum side

air side connectors are included



Bemerkungen (Remarks)				Freimaßtoleranz (Standard Toleranz)		Maßstab (Scale)	Rauheit (Roughness)	europ.Projektion	
All informations provided in this drawing is considered to be confidential, proprietary and secret information. If is intended only for the use of individual or entity to whom it is sent. Individual or entity agrees to not disseminate or copy this information to anyone other than originally specified without the written consent Allectra GmbH.						1:1			
								Material, Standard Oberfläche (Treatment)	Kanten (edges)
				Datum		Name	Bezeichnung (Title)		
Design		15.05.2019	AD	2 of SHV f/t on flange DN40 CF			g		
Drawn		15.05.2019	AD				376.77		
Check				Page:		Pages:			
				2		4			
				Zeichnungsnummer (Drawing No.)			Revision		
				241-SHV-C40-2					
Index				Modification			Datum		
				Name			Datei (File)		
				C:\PDMStore\C:\PDMStore\			Format A4		

allectra