

Crimp pins for Sub-D Connectors

For use with the in-vacuum female connectors
211-FSxx-HV / 211-FSxx-PK / 211-FSxx-UHV

and the male connectors

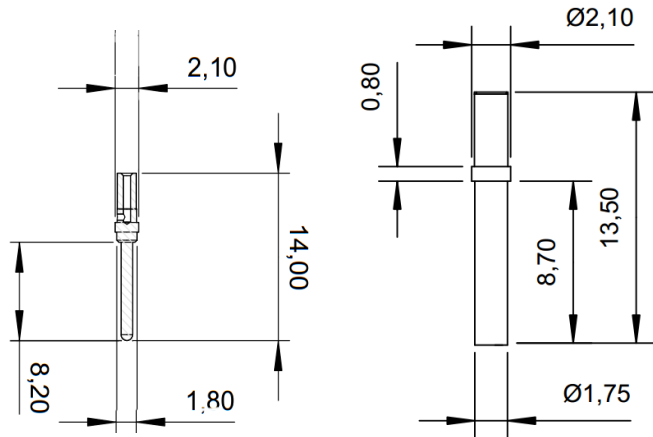
211-MSxx-HV / 211-MSxx-PK / 211-MSxx-UHV

(xx stands for the number of pins to each connector,
09 / 15 / 25 / 37 and 50).

Alllectra offers different types of crimp pins for various
cable sizes and purposes.

The pins are sold in packs of 10, 15 and 25.

Crimping is the recommended connection method for
cables, but they can also be used as solder pins. A
venting hole comes as standard.



Pin Type	Gender / Type	Hole size	Rec. Wire size	AWG
212-PINF-10-S	female / small	0,6mm	0.1 - 0.5mm	38 - 24
212-PINF-10	female / standard	1,1mm	0,25 – 1.0mm	30 - 18
212-PINF-10-HC	female / High Current	1,3mm	0.9 – 1.3mm	19 - 16
212-PINF-10-B	female / basic	1,1mm	0,25 – 1.0mm	30 - 18
212-PINM-10-S	male / small	0,6mm	0.1 - 0.5mm	38 - 24
212-PINM-10	male / standard	1,1mm	0,25 – 1.0mm	30 - 18
212-PINM-10-HC	male / High Current	1,3mm	0.9 – 1.3mm	19 - 16
212-PINF-NM	female / Non Magnetic	1,1mm	0,25 – 1.0mm	30 - 18
212-PINM-NM	male / Non Magnetic	1,1mm	0,25 – 1.0mm	30 - 18

Notes:

- The table shows part codes for packs of 10. Non-magnetic pins are sold individually.
- For wires <0.1mm, soldering or bending the wire to increase material thickness is recommended.
- High Current pins are recommend for use with the HC feedthroughs up to 10A.
- Non-magnetic pins have a defined magnetism of < 20nT.
- Basic pins have no additional Stainless Steel outer.
- For Thermocouple applications, Allectra offers thermocouple pins type K / N / T / J (not shown here).