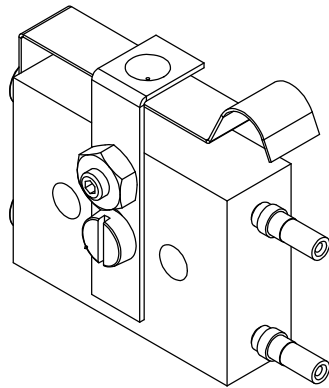
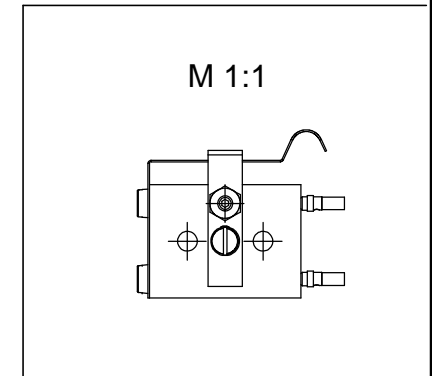
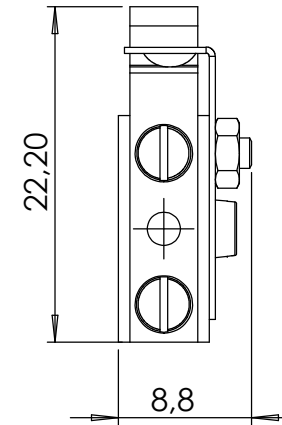
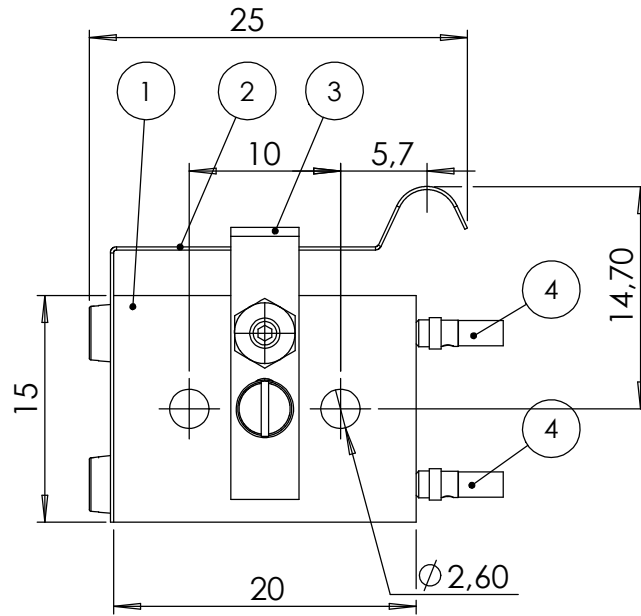


| POS-NR. | DESCRIPTION | MATERIAL | QTY |
|---------|---------------------------|--------------------------|-----|
| 1 | Block | PEEK (Natur) | 1 |
| 2 | Trigger Sheet | Copper Alloy Gold plated | 1 |
| 3 | Contact Sheet | Copper Alloy Gold plated | 1 |
| 4 | Crimp Pin male small type | Copper Alloy Gold plated | 2 |



| Bemerkungen (Remarks) | | | | Freimaßtoleranz (Standard Toleranz) | | Maßstab (Scale) | Rauheit (Roughness) | europ.Projektion | | |
|--|--------------|----------------------|------------------|-------------------------------------|------|--|---------------------|------------------------|---------------------------|--|
| All informations provided in this drawing is considered to be confidential, proprietary and secret information. If is intended only for the use of individual or entity to whom it is sent. Individual or entity agrees to not disseminate or copy this information to anyone other than originally specified without the written consent Allectra GmbH. | | | | | | 2:1 | | | | |
| | | | | | | | | Material, Standard | Kanten (edges) | |
| | | | | | | | | Oberfläche (Treatment) | | |
| | | | | | | | | Bezeichnung (Title) | Gewicht (weight) g | |
| | | Design 22.10.2014 FW | UHV Limit Switch | | 4.19 | | Page: 2 Pages: 2 | | | |
| | | Drawn 24.10.2014 FW | | | | | | | | |
| | | Check 28.10.2014 | | | | | | | | |
| | | | | | | Zeichnungsnummer (Drawing No.) 363-SWITCH-3 | | Revision | | |
| | | | | | | Datei (File) C:\PDMStore\C\PDMStore\ | | Format A4 | | |
| Index | Modification | Datum | Name | | | | | | | |