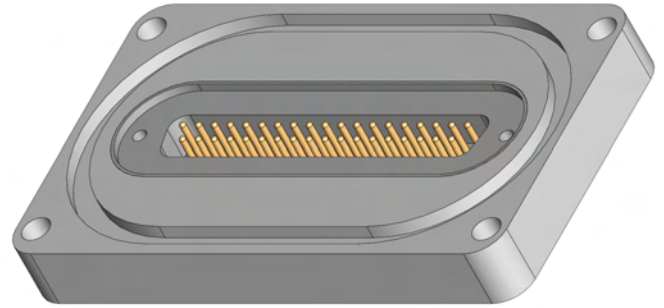


O-ring sealed Sub-D feedthroughs for High vacuum applications

For applications down to 10⁻⁷ mbar, Allectra offers a special series of O-ring sealed Sub-D feedthroughs. Depending on the application, either the compact version or a version on a rightangular plate can be used. As the standard rightangular plate has the same size for all types, feedthroughs can easily be exchanged. We can also mount other feedthroughs (e.g. coaxial types) on the same plate size!

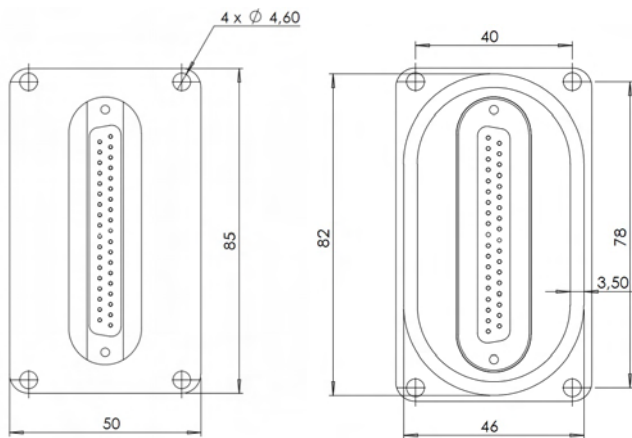


General Specifications Baseplate Sub-D

Baseplate Size	85 x 50 mm
Baseplate material	SS 1.4301
Pin-ø	1.0 mm
Pin material	Gold plated proprietary metal
Seal	Glass Ceramic
O-Ring	FKM (Viton) 3mm included
Test Voltage	500V DC
Max. Current	5A / 10A per pin depending on type
Cont. Current	3A / 6A per pin, all pins loaded
Temp.	-40°C to 200°C (HV)
Leak rate	<1x10 ⁻⁹ mbar-l/s He (HV)

Standard Base Plate with Sub-D feedthroughs (3A)

TYPE	PINS	PART NUMBER
	1x9	215-BP-D09
	1x15	215-BP-D15
	1x25	215-BP-D25
	1x37	215-BP-D37
	1x50	215-BP-D50



Standard Base Plate with High Current Sub-D feedthroughs (6A)

TYPE	PINS	PART NUMBER
	1x9	215-BP-D09-HC
	1x15	215-BP-D15-HC
	1x25	215-BP-D25-HC
	1x37	215-BP-D37-HC
	1x50	215-BP-D50-HC