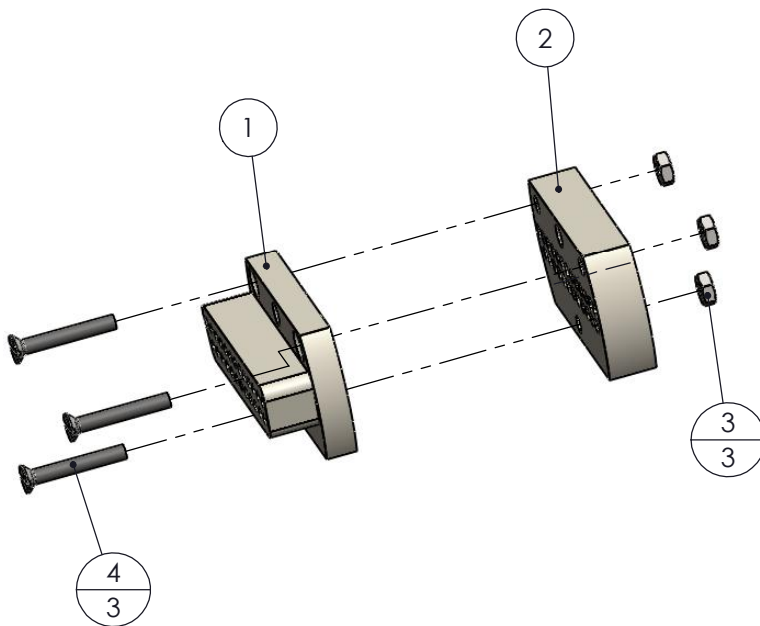
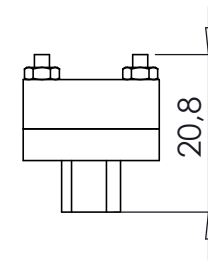
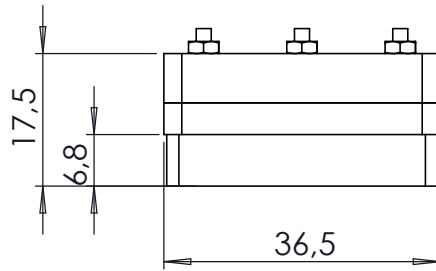
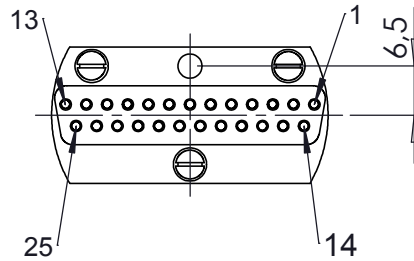


POS-NR.	DESCRIPTION	MATERIAL	QTY
1	front plate for 25 Pin small type	PEEK	1
2	back plate for 25 Pin small type	PEEK	1
3	Hexagon Nut M2 DIN934	Stainless Steel	3
4	Countersunk Screw M2X14	Stainless Steel	3



Bemerkungen (Remarks)				Freimaßtoleranz (Standard Toleranz)		Maßstab (Scale)	Rauheit (Roughness)	europ.Projektion		
All informations provided in this drawing is considered to be confidential, proprietary and secret information. It is intended only for the use of individual or entity to whom it is sent. Individual or entity agrees to not disseminate or copy this information to anyone other than originally specified without the written consent Allectra GmbH.				Datum		Name	Material, Standard Oberfläche (Treatment)	Kanten (edges)		
										Gewicht (weight) g
				Design	26.11.2015	JB	UHV connector 25 pin SUB-D small special connector for 210-D25-C40		Page: 4	
				Drawn	29.09.16	FW			Pages: 10	
				Check					Revision	
							Zeichnungsnummer (Drawing No.)		211-FS25-PK-S	
Index				Modification	Datum	Name	Datei (File)		c:\PDMStore\c:\PDMStore\	
							Format		A4	