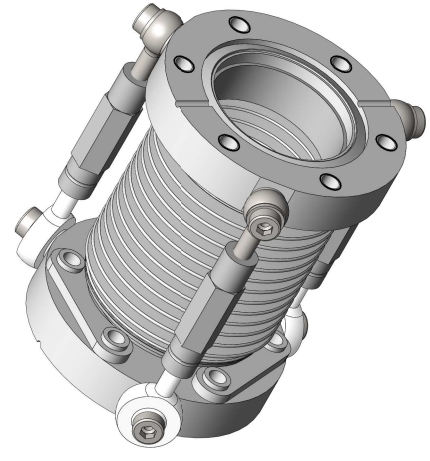
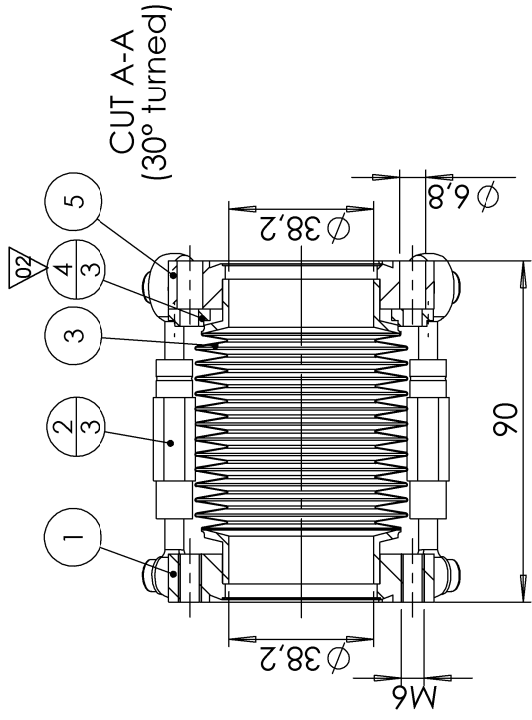
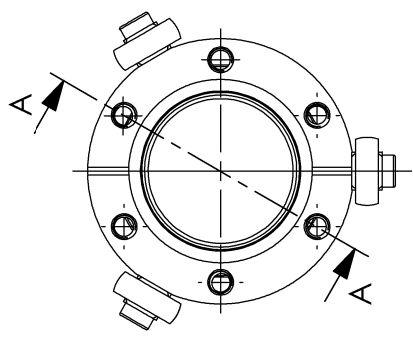
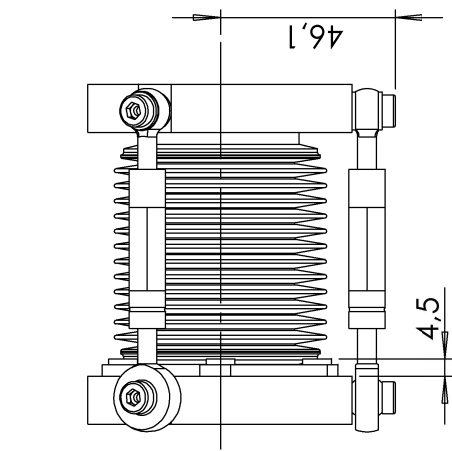


POS-NR.	DESCRIPTION	MATERIAL	QTY
1	bored weldable flange DN40 CF tapped holes	1.4301 (304)	1
2	Spannmutter / clamping nut M5	1.4305 (303)	3
3	formed bellow for port aligner DN40	stainless steel	1
4	plate nut DN40 CF	1.4301 (304)	3
5	bored weldable flange DN40 CF	1.4301 (304)	1

02
spare parts



Bemerkungen (Remarks)		Freimaßtoleranz (Standard Toleranz)		Maßstab (Scale)		Rauheit (Roughness)		europ. Projektion	
All informations provided in this drawing is considered to be confidential, proprietary and secret information. It is intended only for the use of individual or entity to whom it is sent. Individual or entity agrees to not disseminate or copy this information to anyone other than originally specified without the written consent Allectra GmbH.		1:2		1:2		Material, Standard Oberfläche (treatment)		Konten (edges)	
		Design 20.02.2020 JB Drawn 24.02.2020 JB Check		Name JB		Bezeichnung (Title) compact tilting port aligner DN40 CF		Gewicht (weight) 750.93	
		02 spare parts plate nuts 01 spare part nut M6 included		Datum 24.02.20 06.06.18		Zeichnungsnummer (Drawing No.) 616-PA-C40-V2		Page: 1 2	
Index Modification Datum Name		24.02.20 JB 06.06.18 JB		allectra		Revision 02		Format A4	