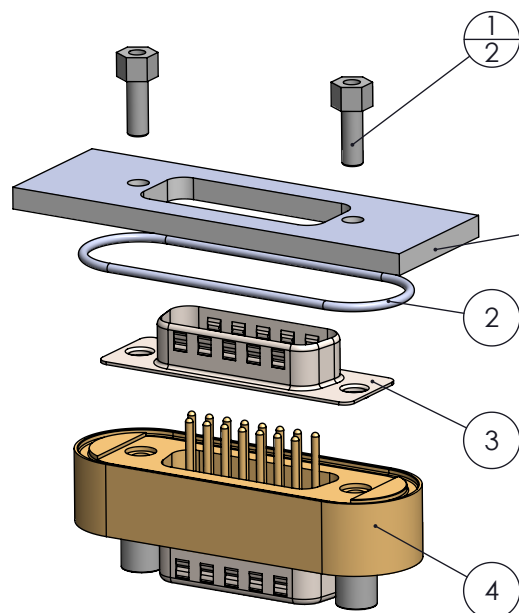
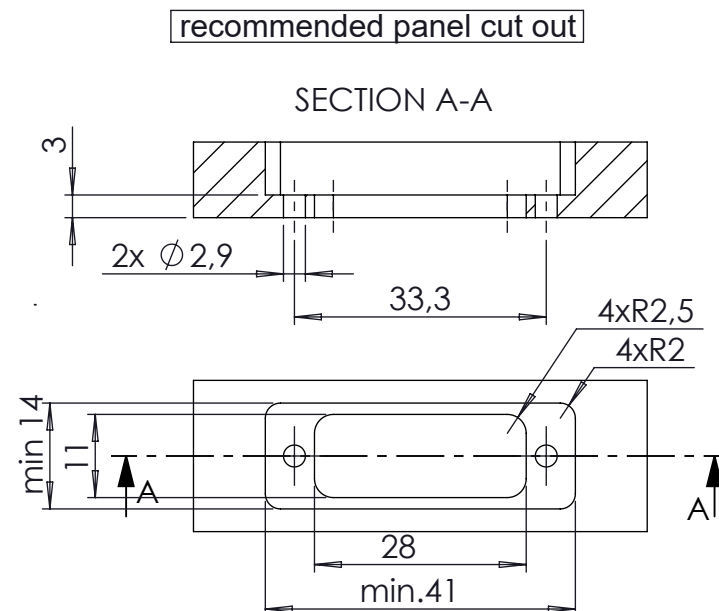
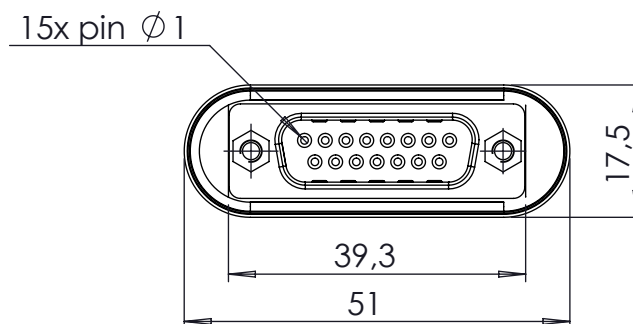
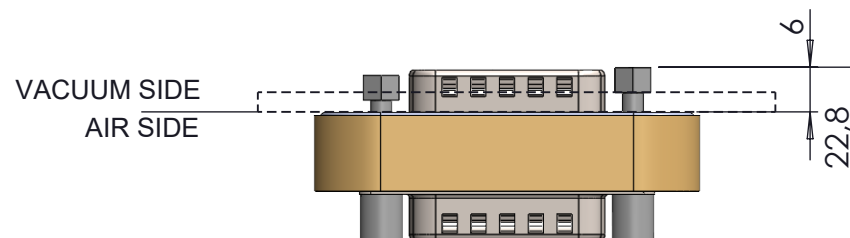


POS.	DESCRIPTION	MATERIAL	QTY
1	215-BoltNut	nickelplated	2
2	O-ring 34,7x1,2	FPM (Viton®) 70 Shore +/-5	1
3	SUB-D 15 pin upper Shell	Stainless Steel	1
4	15 pin SUB-D f/t	Stainless Steel	1



customer plate not included to show the mount instructions



<1x10 E-9 mbar*/sec, according DIN EN 1779
Definition Leckprüfung (definon leak check)

Zeichnung Nutzung (using drawing) Drawing external use for customer		Verwendetes Material (USED MATERIAL)		Bemerkung (REMARKS)		Kanten (EDGES)		PROJECTION	
All informations provided in this drawing is considered to be confidential, proprietary and secret information. It is intended only for the use of individual or entity to whom it is sent. Individual or entity agrees to not disseminate or copy this information to anyone other than originally specified without the written consent Allectra GmbH.		Werkstoff (MATERIAL): Gewicht (WIGHT): g		Toleranz (TOLERANCE)					
Oberfläche (SURFACE) Cleaned UHV- Compatible		Maßstab (SCALE): 1:1	Format. (FORM) A4	PAGE NO 1	PAGES 1	Rauheit (ROUGHNESS) 			
origin	name	Allectra special		DATE	NAME		Benennung (DESCRIPTION): SUB-D feedthrough 15 pin with O-ring seal		
	(drw/doc/sketch)	Design	11.03.2014	JB					
	date	Drawn	05.02.2024	AD					
01	panel cut out definition	Check	05.02.2024	JB		Zeich. Nr. (Drw. No.): 215-D15			REV 01
		Approv	04.01.2024	JB					
REV Beschreibung (CHANGING)		gesp. am (SAVE DAT.): 05.02.2024		Art. Nr. (PART NO.): 215-D15					