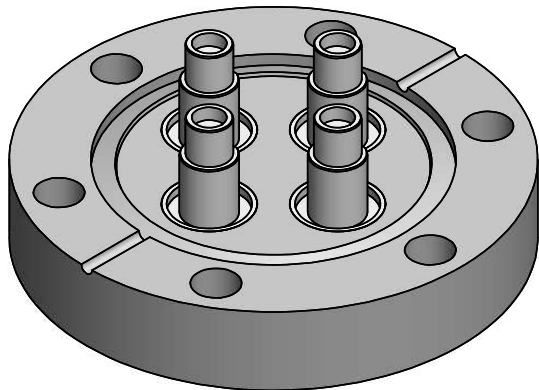
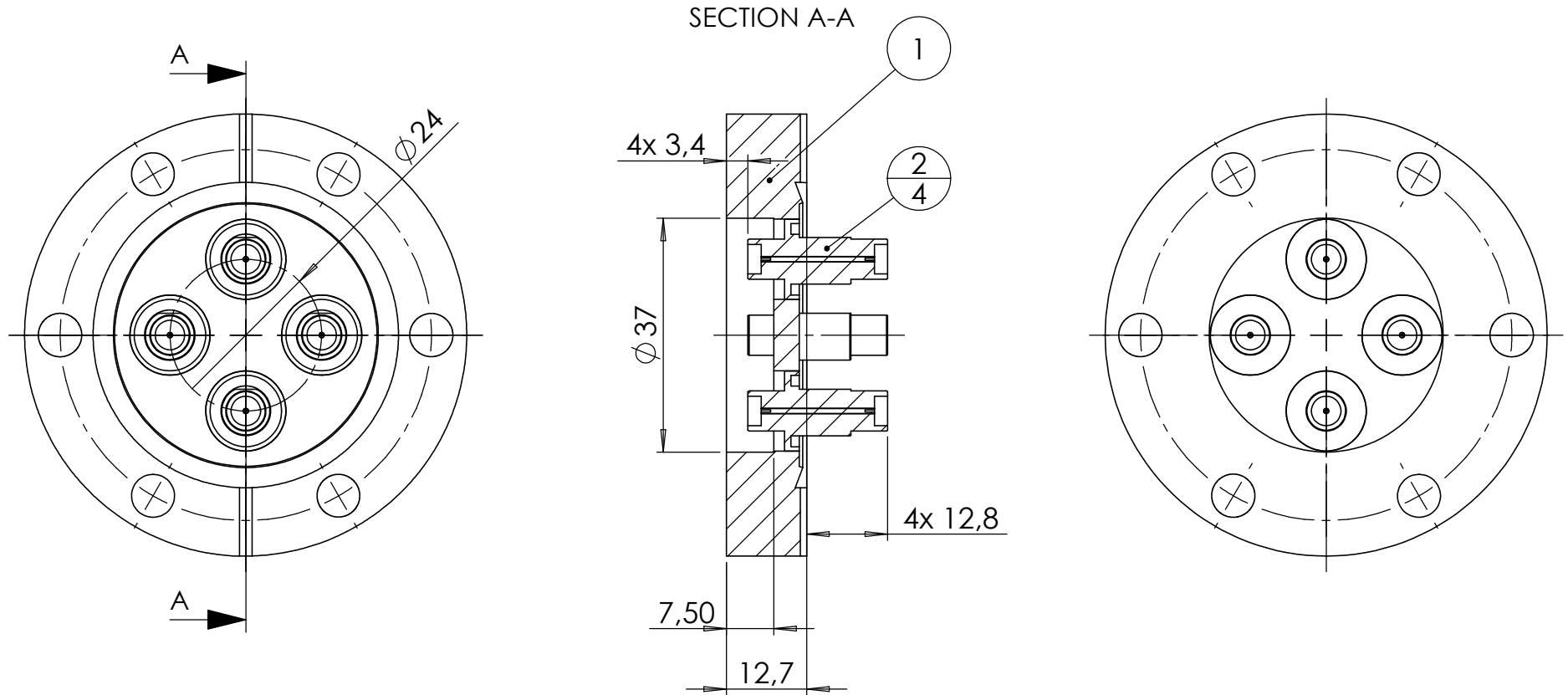


POS-NR.	DESCRIPTION	MATERIAL	QTY
1	modified flange DN40 CF	1.4404	1
2	SMA high frequency 27GHz, 50 OHM, welded	stainless steel	4



Bemerkungen (Remarks)				Freimaßtoleranz (Standard Toleranz)		Maßstab (Scale)	Rauheit (Roughness)	europ.Projektion	
All informations provided in this drawing is considered to be confidential, proprietary and secret information. If is intended only for the use of individual or entity to whom it is sent. Individual or entity agrees to not disseminate or copy this information to anyone other than originally specified without the written consent Allectra GmbH.				Datum		1:1			
				Name				Material, Standard Oberfläche (Treatment)	
Design				09.03.2021	AD	Bezeichnung (Title) 4 off SMAD27G on flange DN40 CF		Gewicht (weight) g	
Drawn				09.03.2021	AD			272.68	
Check								Page: 1 Pages: 1	
						Zeichnungsnummer (Drawing No.)		Revision	
						242-SMAD27G-C40-4			
Index	Modification	Datum	Name	Datei (File)		C:\PDM-Store\I:\PDM-Store\		Format A4	