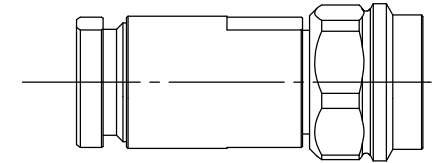
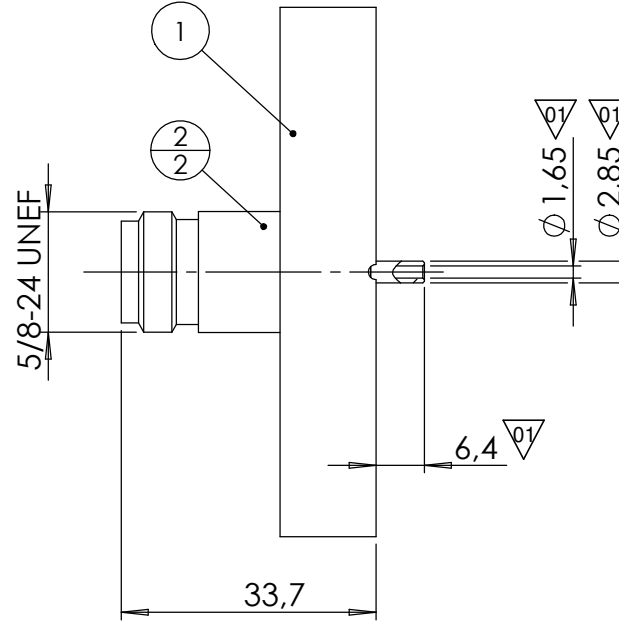
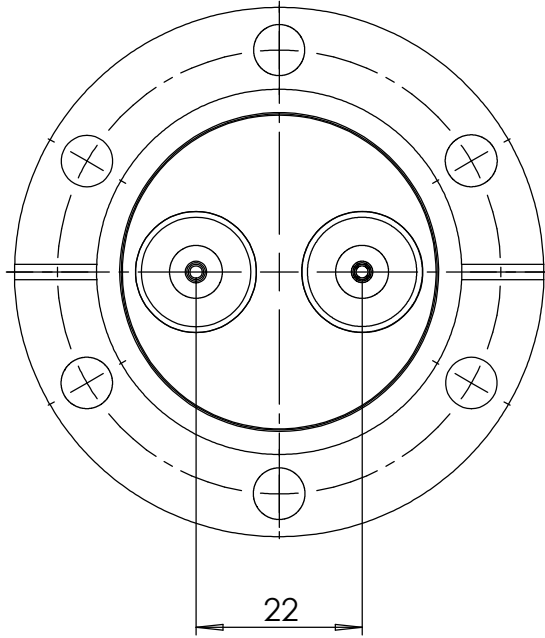
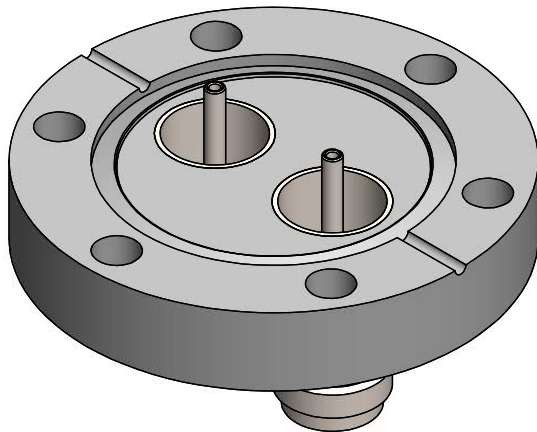


POS-NR.	DESCRIPTION	MATERIAL	QTY
1	modified flange DN40 CF	1.4404 (316L)	1
2	coaxial N 50Ohm f/t, grounded shield	Stainless Steel	2



including air side connectors



Bemerkungen (Remarks)				Freimaßtoleranz (Standard Toleranz)		Maßstab (Scale)	Rauheit (Roughness)	europ. Projektion	
All informations provided in this drawing is considered to be confidential, proprietary and secret information. If is intended only for the use of individual or entity to whom it is sent. Individual or entity agrees to not disseminate or copy this information to anyone other than originally specified without the written consent Allecra GmbH.				Datum		Name	Material, Standard Oberfläche (Treatment)		
				Drawn 03.09.2020		AD	Bezeichnung (Title) 2x N 50 Ohm f/t grounded shield on flange DN40 CF		Gewicht (weight) g
				Check					526.33
							Page: 1 Pages: 1		Revision
							01 internal change in N50 f/t 03.09.2020 AD		1 1
Index				Modification		Datum	Name	Format A4	



Zeichnungsnummer (Drawing No.)  
242-N50-C40-2

Datei (File) C:\PDM-Store\C:\PDM-Store\