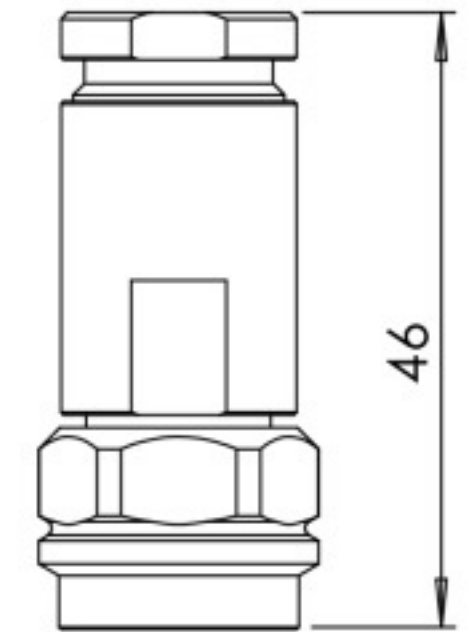
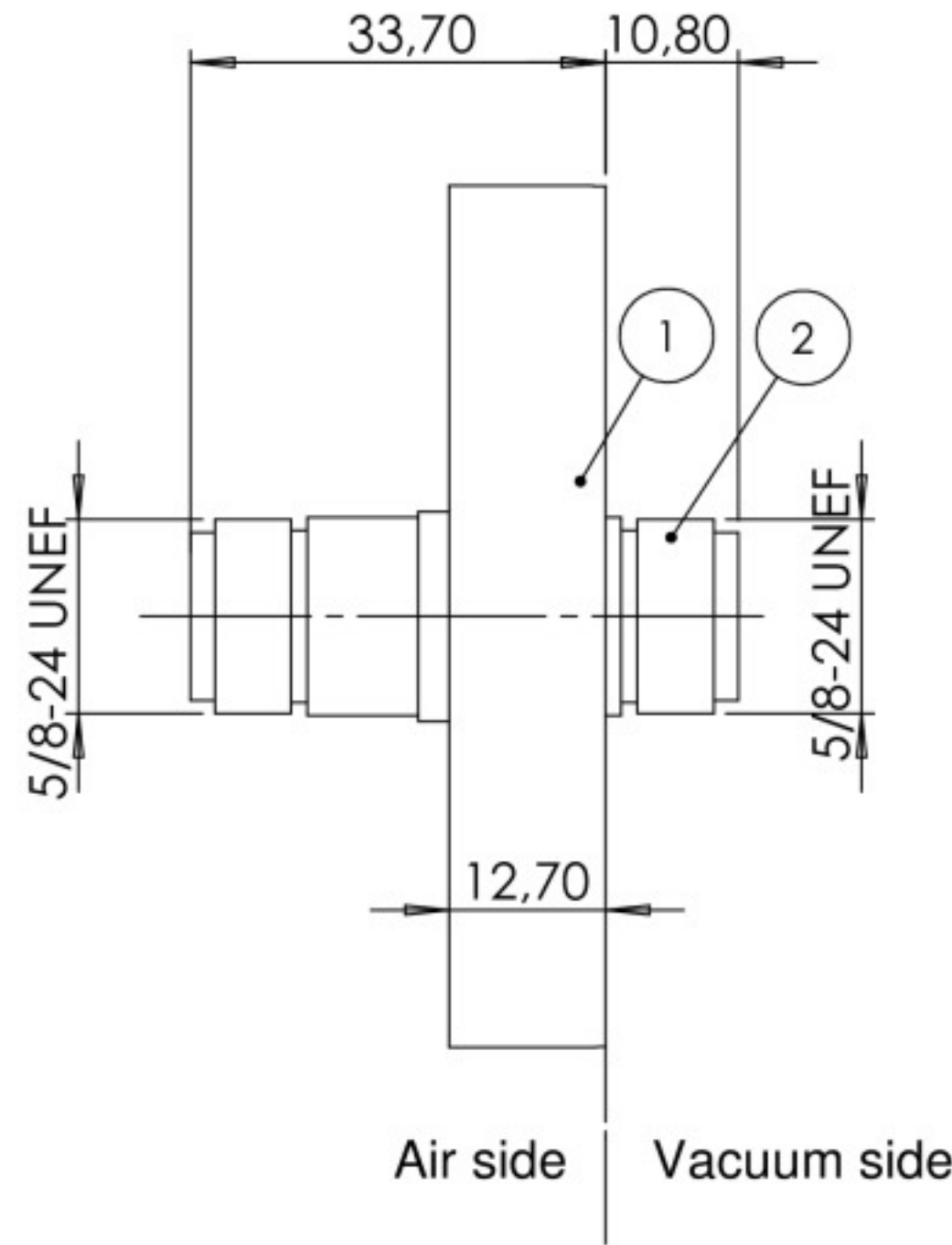
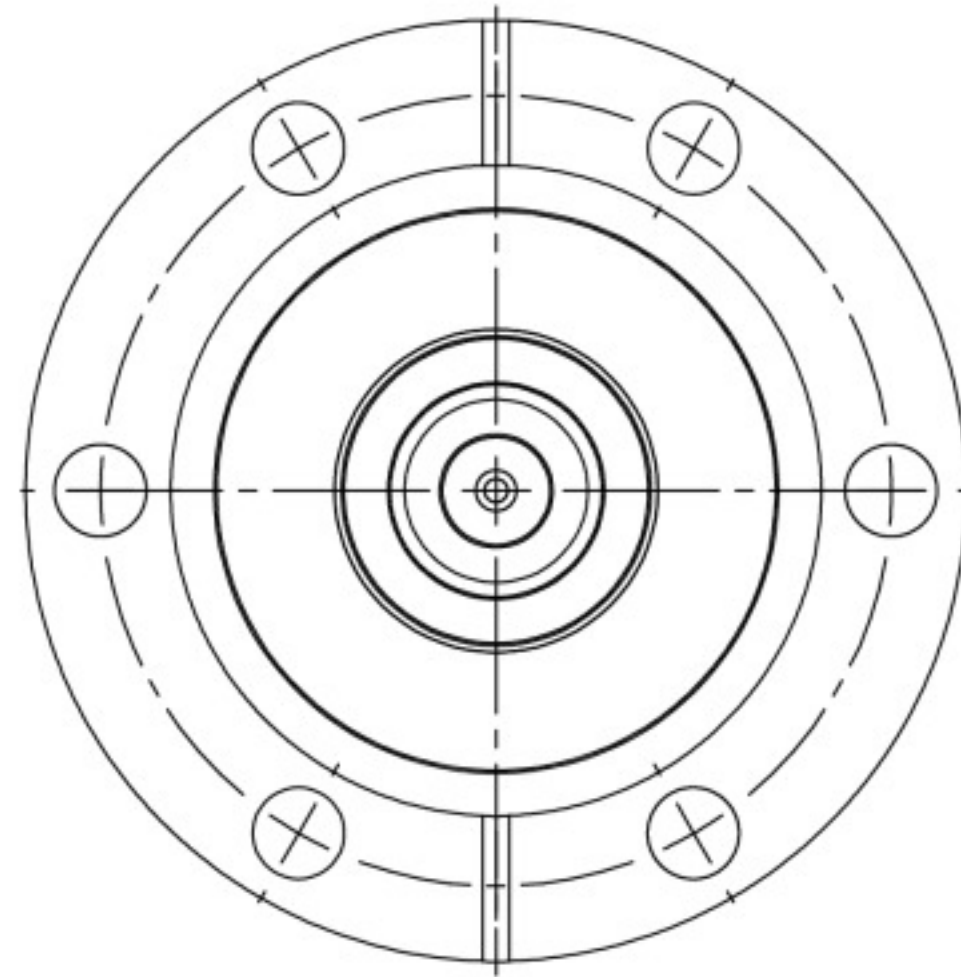
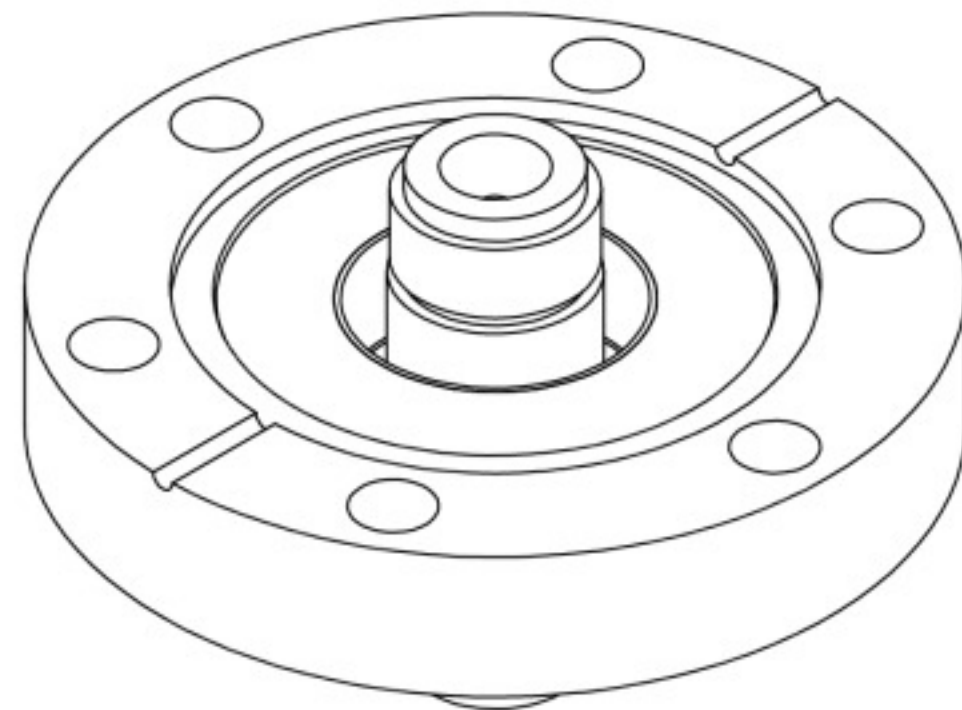


POS-NR.	DESCRIPTION	Material	QTY
1	Modified Blank Flange DN40 CF	1.4404	1
2	Coaxile F/T, Type N, 50 Ohm, Double Sided	Stainless Steel	1



Air Side Connector including



Bemerkungen (Remarks)				Freimaßtoleranz (Standard Toleranz)		Maßstab (Scale)	Rauheit (Roughness)	europ.Projektion		
All informations provided in this drawing is considered to be confidential, proprietary and secret information. It is intended only for the use of individual or entity to whom it is sent. Individual or entity agrees to not disseminate or copy this information to anyone other than originally specified without the written consent Alectra GmbH.				DIN ISO 2768 f-H		1:1	Material, Standard Oberfläche (Treatment)	Kanten (edges)		
									L+0,1 L-0,25	
		Datum	Name	Bezeichnung (Title)				Gewicht (weight)	g	
		Design	18.03.2014	FW	N-Type double sided F/T 50 Ohm onto Flange DN40 CF				442.34	
		Drawn	13.03.2014	FW					Page:	Pages:
		Check	14.03.2014						1	1
				Zeichnungsnummer (Drawing No.)		Revision				
				242-ND50-C40		01				
01	input Con	18.03.14	FW			Datei (File)		Format		
Index	Modification	Datum	Name			C:\PDMStore\C:\PDMStore\		A4		