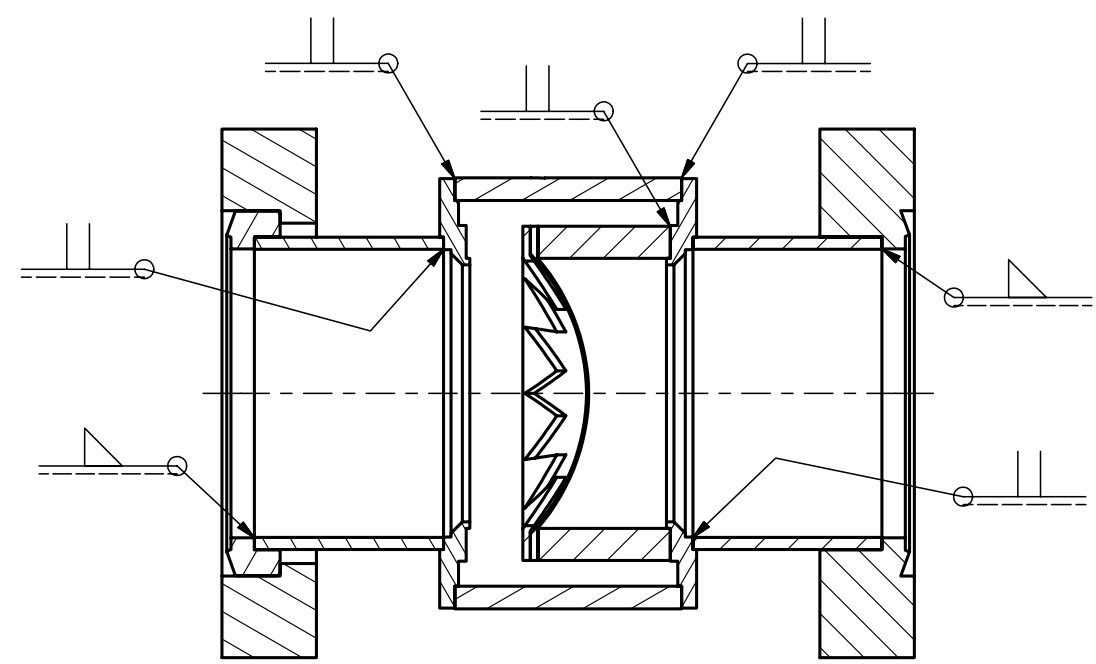
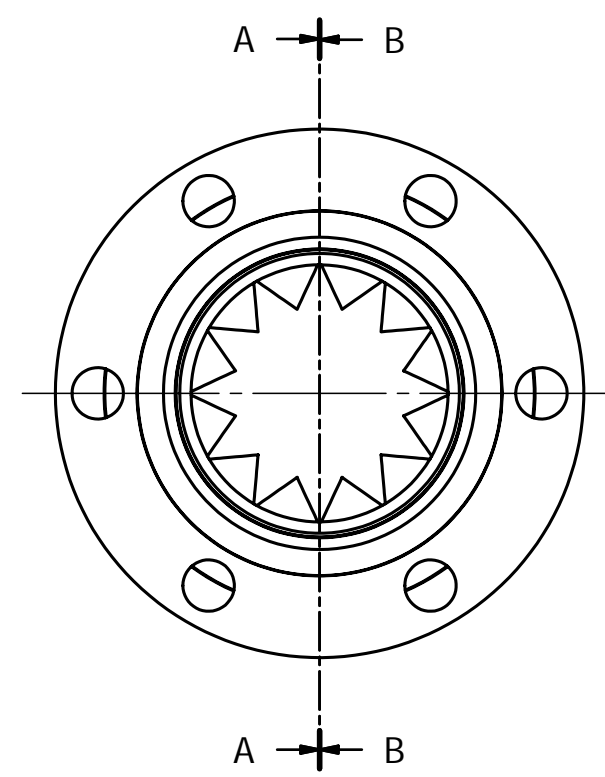
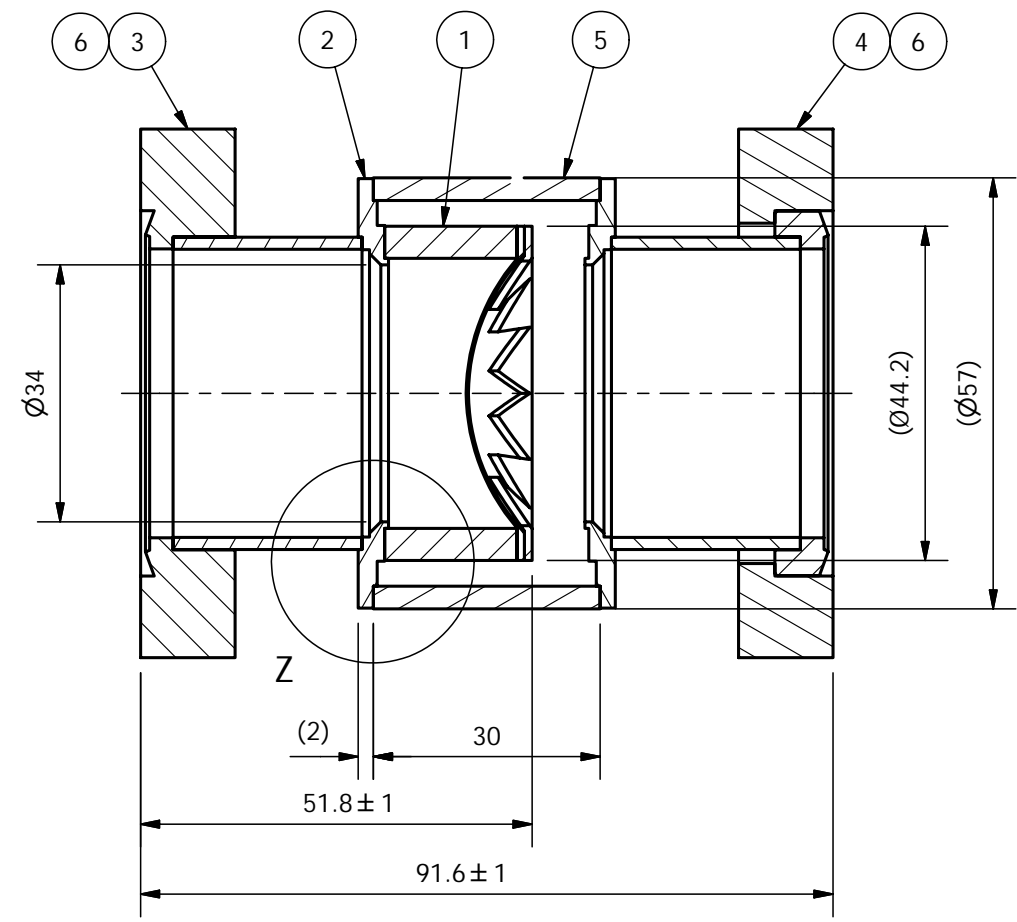
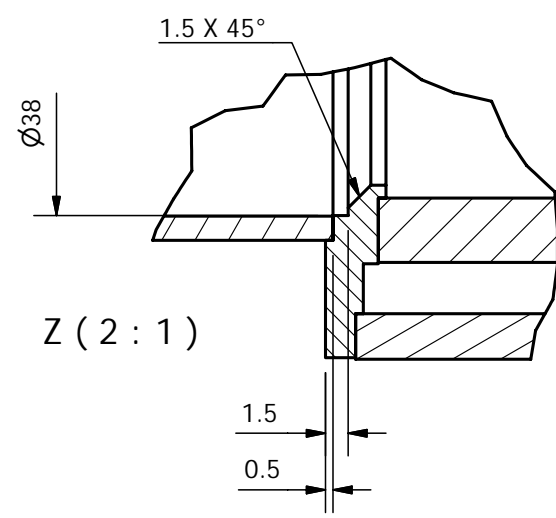
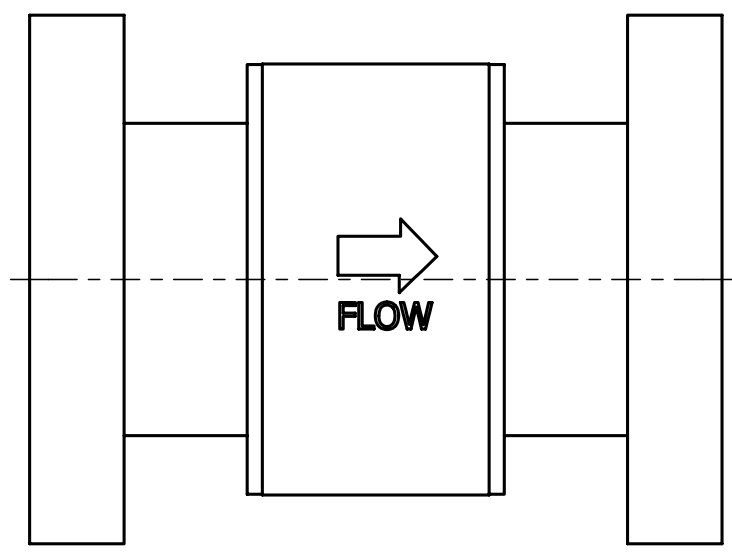


| REVISION HISTORY | | | |
|------------------|-------------|------------|----------|
| ISSUE | DESCRIPTION | DATE | APPROVED |
| A | NEW DRAWING | 02/05/2013 | |



A-A (1 : 1)

B-B (1 : 1)

NOTES:

1. ALL WELDS TO BE T.I.G.
2. ITEM 2 AND 6 TO BE MACHINED TO SUIT AS SHOWN.
3. ARROW AND "FLOW" TO BE ENGRAVED.
4. FINISH - CLEAN AND He LEAK CHECK TO UHV STANDARDS.
5. FULL DESCRIPTION: STANDARD PRESSURE BURST DISK, WITH DN40CF (70mm OD) FLANGES ON BOTH ENDS (FOR GAS RECOVERY)

PARTS LIST

| ITEM | PART NUMBER | DESCRIPTION | QTY |
|------|--------------|-------------------------------------|-----|
| 1 | | PRESSURE BURST DISK | 1 |
| 2 | AL-795_2 | WELD RING 57 O.D. 17.8 I.D. | 2 |
| 3 | 411-CF40-41 | DN40CF FLANGE FIXED BORED | 1 |
| 4 | 411-CF40-41R | DN40CF FLANGE BORED ROTATABLE | 1 |
| 5 | | SS TUBE 57 O.D. x 3.0mm (30 LONG) | 1 |
| 6 | | SS TUBE 41.3 O.D. x 1.6mm (25 LONG) | 2 |

| | |
|---|------------------------|
| Material: SEE ITEMS LIST | |
| Dimensions - mm | Third Angle Projection |
| Angular ± 0.5° | |
| Surface Finish 1.6µm | |
| Tolerances - Unless Stated Basic Size Limit | |
| 0 - 18 | ± 0.10 |
| 18 - 120 | ± 0.15 |
| 120 - 315 | ± 0.20 |
| 315 - 630 | ± 0.35 |
| 630 - 1000 | ± 0.50 |
| 1000 - 2000 | ± 1.00 |

| | | | | | |
|--------------------|------------|-------------|--|-------------------------|--------------------|
| Designed by KJP | Checked by | Approved by | Date | File Name AL-795.dwg | Date 02/05/2013 |
| ALLECTRA LTD | | | PRESSURE BURST DISK + GAS RECOVERY DN40CF-DN40CF | | |
| | | | 461-PBD-C40-C40 | Edition A | Sheet 1 / 1 |