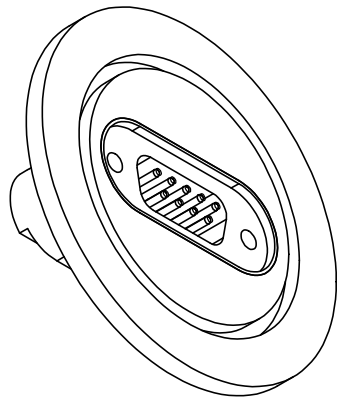
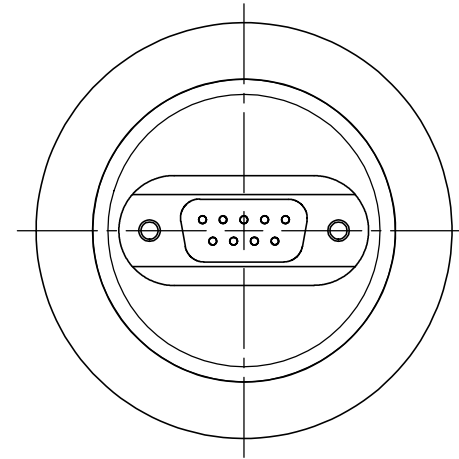
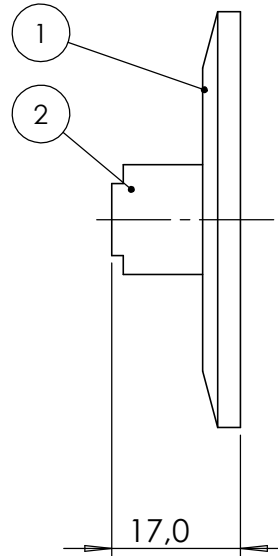
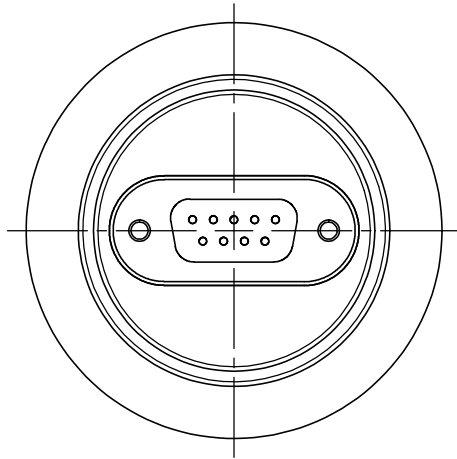


POS-NR.	DESCRIPTION	MATERIAL	QTY
1	Modified Flange DN40 KF	1.4404 (X2CrNiMo17-12-2)	1
2	SUB-D 9 pin F/T	Stainless Steel	1



Bemerkungen (Remarks) HSG=36				Freimaßtoleranz (Standard Toleranz)		Maßstab (Scale) 1:1		Rauheit (Roughness) $\sqrt{\quad}$		europ.Projektion	
All informations provided in this drawing is considered to be confidential, proprietary and secret information. It is intended only for the use of individual or entity to whom it is sent. Individual or entity agrees to not disseminate or copy this information to anyone other than originally specified without the written consent Allectra GmbH.				Datum		Name		Material, Standard Oberfläche (Treatment)		Kanten (edges) $\pm 0,1$ $0,25$	
				Design 14.11.2013		FW		Bezeichnung (Title) 9 pin SUB-D F/T onto Flange DN40 KF		Gewicht (weight) g 109.24	
				Drawn 14.11.2013		FW				Page: 1 Pages: 1	
				Check 14.11.2013						Revision	
						Zeichnungsnummer (Drawing No.) 210-D09-K40		Datei (File) C:\PDMStore\IC\PDMStore\		Format A4	
Index		Modification								Datum	