

## UHV Limit Switches: 363-SWITCH-1, -2 and -3

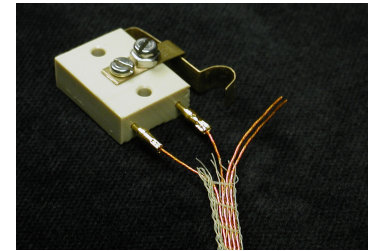
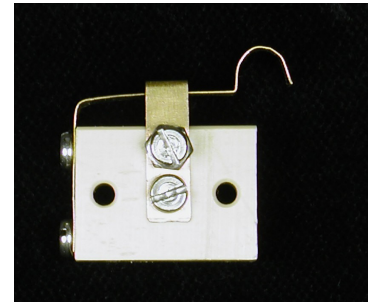
Allectra has a series of limit switches ready for UHV use.

The switches are normally closed, with uncovered contacts, and two mounting holes allow for easy installation.

Based on a PEEK body, the switch is bakeable to 200°C. Voltage should not exceed 32V. Connection is made via two 1mm crimp pins.

Three sizes are available: 363-SWITCH-1 363-SWITCH-2 and 363-SWITCH-3.

	363-SWITCH-1	363-SWITCH-2	363-SWITCH-3
Overall dimensions	25x17x8 mm <sup>3</sup> (Body 15x10x8)	25x17x8mm <sup>3</sup> (Body 22x10x8)	25x23x9 mm <sup>3</sup>
Mounting hole Distance	10 mm	10 mm	10 mm
Repeatability	Typ. 10 µm	Typ. 10 µm	Typ. 10 µm
Connection	1mm pins	Screw connection	Screw connection



363-Switch-3 with four-way ribbon cable connection

### Electrical data (all types):

Switch

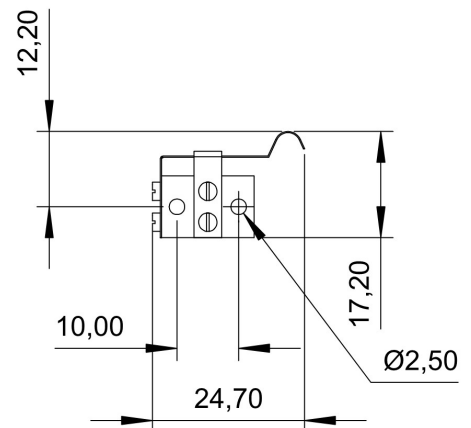
normally closed  
two pin connection  
Gold plated  
32V  
< 100 MΩ  
> 100 MΩ

Contacts

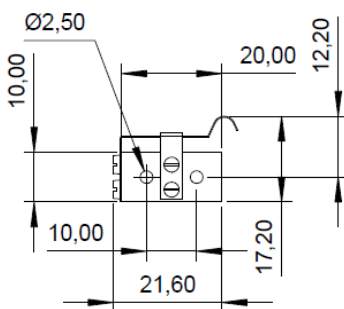
Max Voltage

Resistivity (Closed)

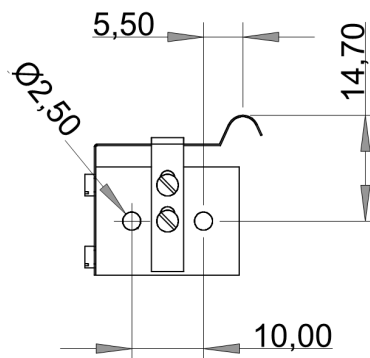
Resistivity (Open)



363-SWITCH-1 dimensions



363-SWITCH-2 dimensions



363-SWITCH-3 dimensions