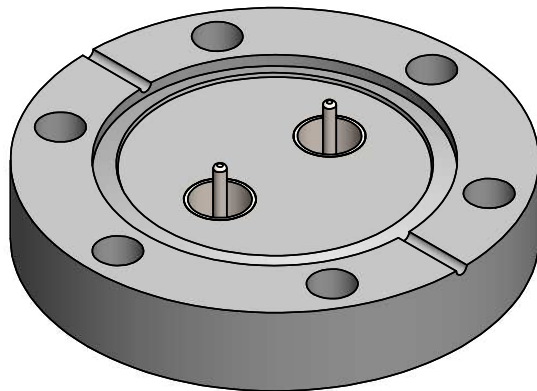
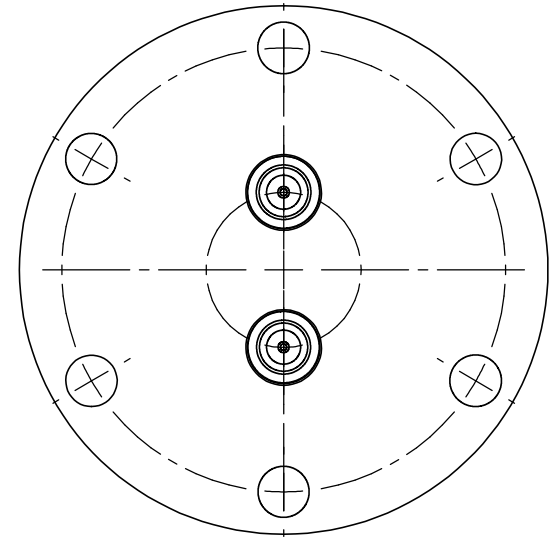
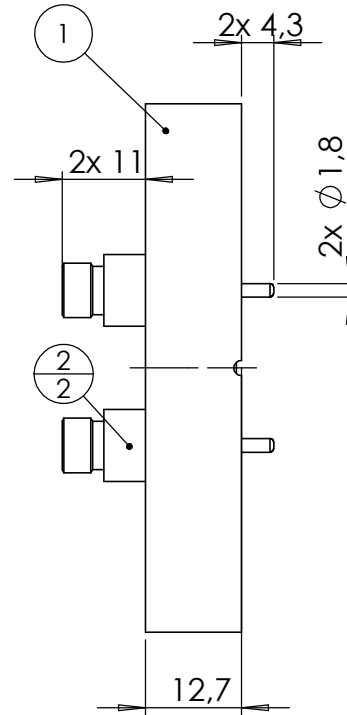
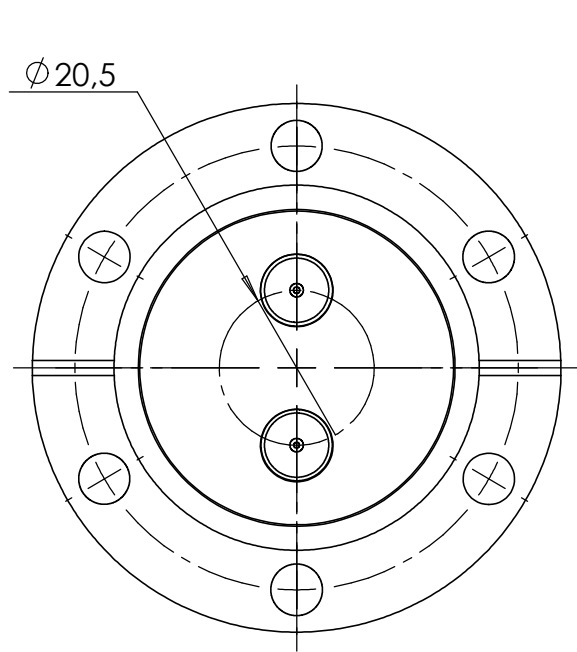


POS-NR.	DESCRIPTION	MATERIAL	QTY
1	modified flange DN40 CF	1.4404 (316L)	1
2	SMA 50 Ohm impedanced F/T	Stainless Steel	2



Bemerkungen (Remarks)				Freimaßtoleranz (Standard Toleranz)		Maßstab (Scale)	Rauheit (Roughness)	europ.Projektion		
All informations provided in this drawing is considered to be confidential, proprietary and secret information. If is intended only for the use of individual or entity to whom it is sent. Individual or entity agrees to not disseminate or copy this information to anyone other than originally specified without the written consent Allecra GmbH.						1:1				
								Material, Standard Oberfläche (Treatment)		Kanten (edges)
				Datum	Name	Bezeichnung (Title)		Gewicht (weight) g		
				Design	07.12.2020	AD	2 off SMA50 f/t		343.52	
				Drawn	07.12.2020	AD	on flange DN40 CF		Page: 1 Pages: 1	
				Check						
						Zeichnungsnummer (Drawing No.)		Revision		
						242-SMA50-C40-2				
Index				Modification	Datum	Name	Datei (File) C:\PDM-Store\C:\PDM-Store\		Format A4	