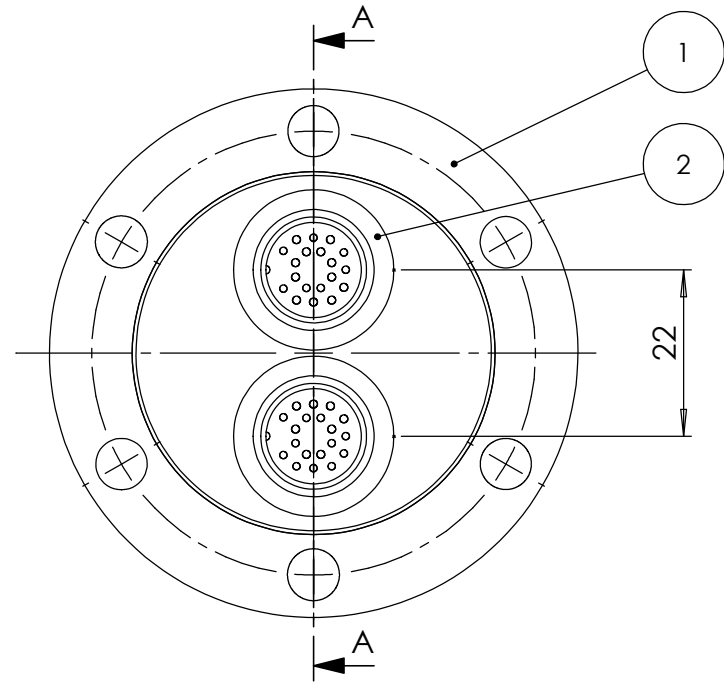
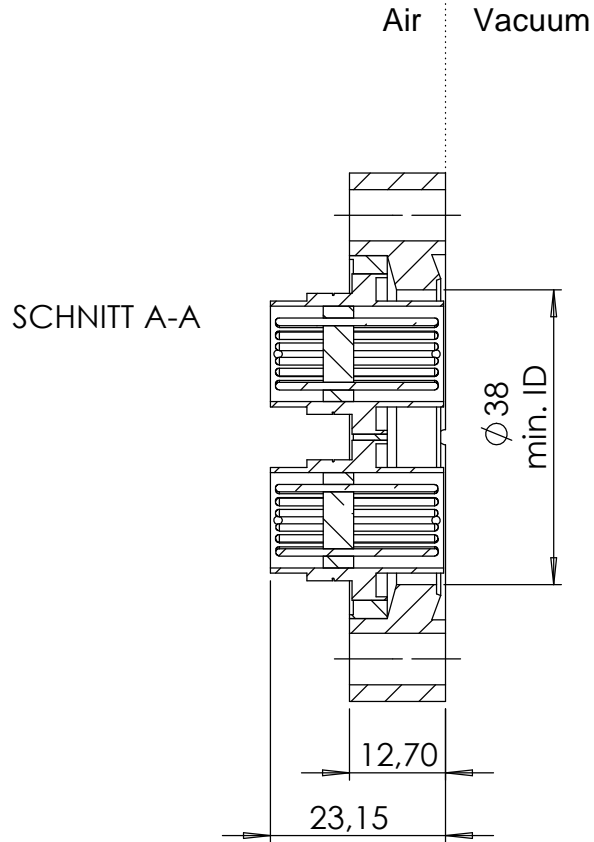
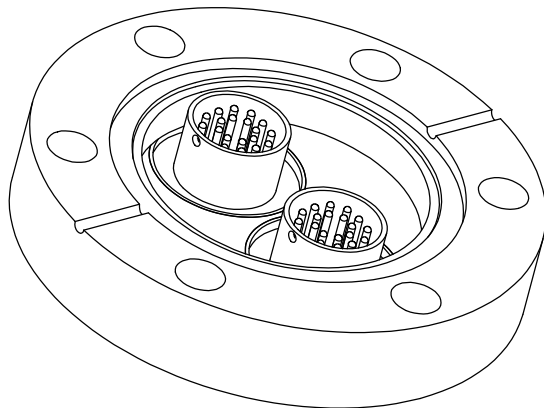


POS-NR.	DESCRIPTION	MATERIAL	QTY
1	Special Flange DN40 CF	1.4404	1
2	19 pin Feedthrough	Stainless Steel	2



Please use with only Screws DIN 912.  
They are including (6 of Screws DIN 912 - M6x35).



Bemerkungen (Remarks)				Freimaßtoleranz (Standard Toleranz)	Maßstab (Scale)	Rauheit (Roughness)	europ.Projektion
All informations provided in this drawing is considered to be confidential, proprietary and secret information. If is intended only for the use of individual or entity to whom it is sent. Individual or entity agrees to not disseminate or copy this information to anyone other than originally specified without the written consent Allectra GmbH.				Datum	Name		
				Design	27.03.2009		
				Drawn	17.10.2014	FW	Kanten (edges) 
				Check	20.10.2014		
				Bezeichnung (Title) <b>2 of 19 pin Feethrough            onto Flange DN40 CF</b>			Gewicht (weight) <b>g</b> 250.18
				Zeichnungsnummer (Drawing No.) <b>220-CM19-C40-2</b>			Page: <b>1</b>
				Datei (File) C:\PDMStore\C\PDMStore\			Revision
							Format <b>A4</b>
Index	Modification	Datum	Name				