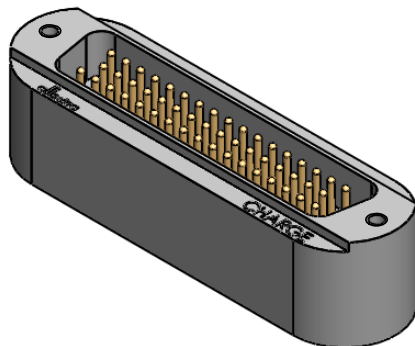
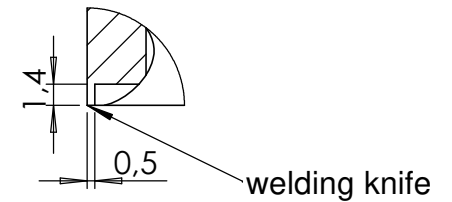


DETAIL A
View 2 : 1



Bemerkungen (Remarks)				Freimaßtoleranz (Standard Toleranz)		Maßstab (Scale)	Rauheit (Roughness)	europ.Projektion			
All informations provided in this drawing is considered to be confidential, proprietary and secret information. If is intended only for the use of individual or entity to whom it is sent. Individual or entity agrees to not disseminate or copy this information to anyone other than originally specified without the written consent Allectra GmbH.						1:1	$\sqrt{Rz 16 (Rz 6.3)}$				
				Datum		Name	Material, Standard	Stainless Steel	Kanten (edges)		
				Design		17.06.2013	JB	Oberfläche (Treatment)		$\pm 0,1$	$\pm 0,25$
				Drawn		24.09.2018	FW	Bezeichnung (Title)	50 pin SUB-D f/t		Gewicht (weight)
Check				weldable			89.40	Page:			
				Zeichnungsnummer (Drawing No.)		218-D50-SS		Pages:			
								1			
Index		Modification	Datum	Name	Datei (File)		C:\PDMStore\C\PDMStore\				
							Revision				
							Format A4				