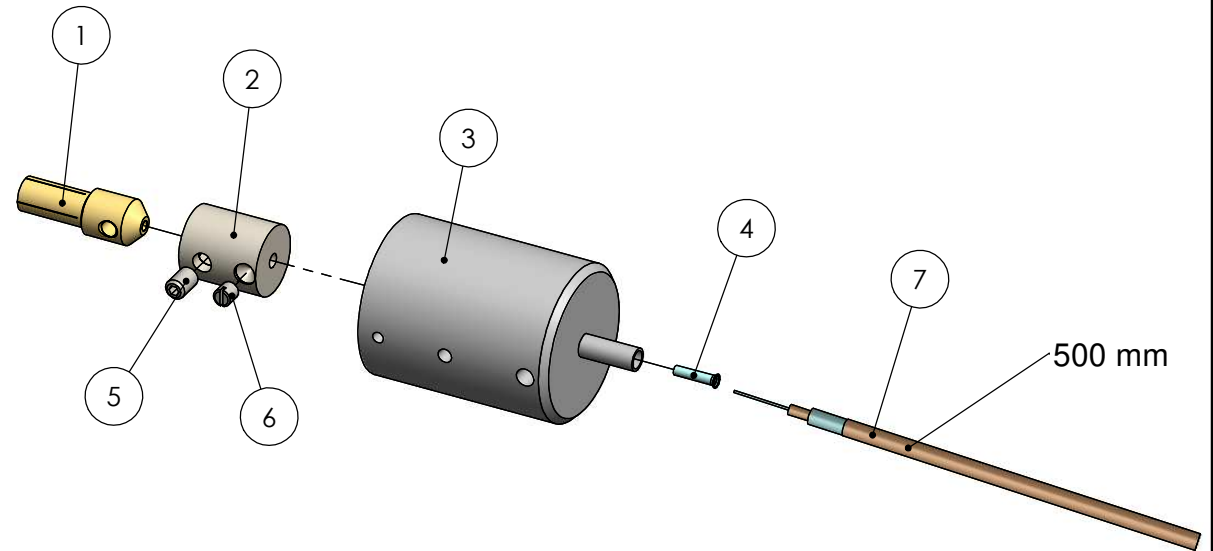
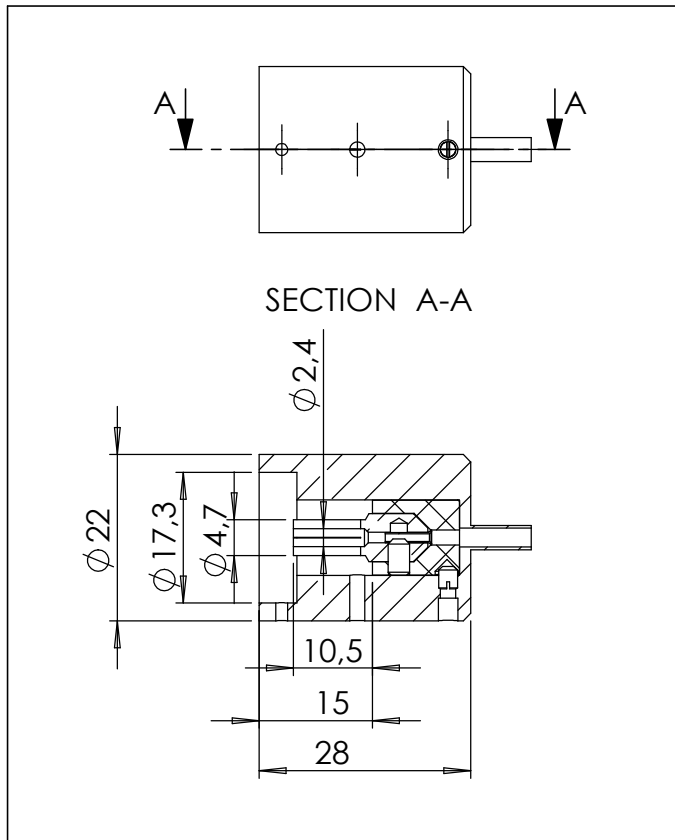
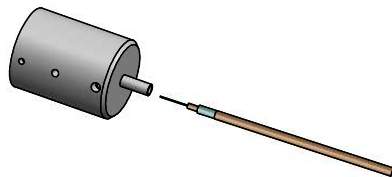


POS-NR.	DESCRIPTION	MATERIAL	QTY
1	contact part for BNC & MHV f/t	2.1247 (CuBe2)	1
2	insulator	PEEK (Natur)	1
3	floating shield	1.4305 (303)	1
4	crimp tube 10	copper tin plated	1
5	screw 4-40 UNC	Stainless Steel	1
6	Grub screw M2.5x3	Stainless Steel	1
7	coax cable KAP50		1



scale 1:2



Bemerkungen (Remarks)				Freimaßtoleranz (Standard Toleranz)		Maßstab (Scale)	Rauheit (Roughness)	europ.Projektion		
All informations provided in this drawing is considered to be confidential, proprietary and secret information. It is intended only for the use of individual or entity to whom it is sent. Individual or entity agrees to not disseminate or copy this information to anyone other than originally specified without the written consent Allelectra GmbH.						1:1				
								Material, Standard Oberfläche (Treatment)	Kanten (edges)	
								Bezeichnung (Title)	Gewicht (weight) g	
				Datum	Name	single sided BNC f/t floating vacuum connector with 500mm KAP50				
				Design	15.02.2015	FW	64.77			
				Drawn	15.02.2021	AD	Page: 2 Pages: 3			
				Check			Revision			
							Zeichnungsnummer (Drawing No.) 380-IVCL-500			
							Datei (File) C:\PDM-Store\C:\PDM-Store\			Format A4
Index	Modification	Datum	Name							