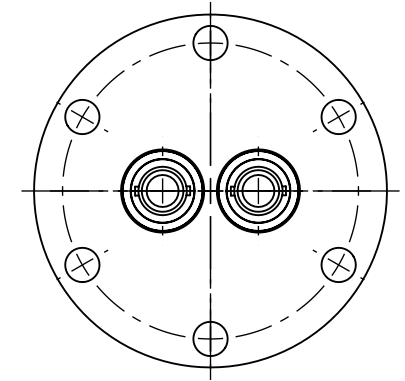
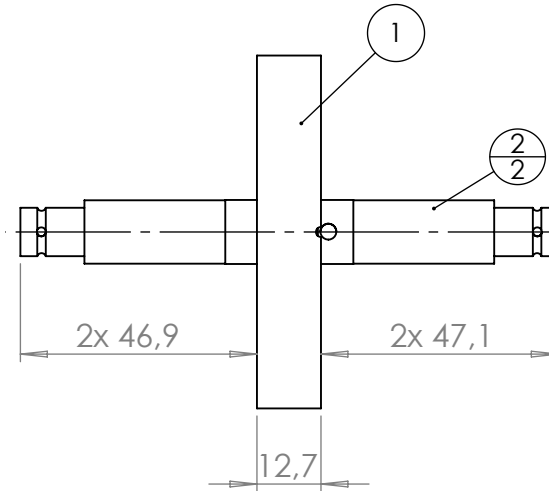
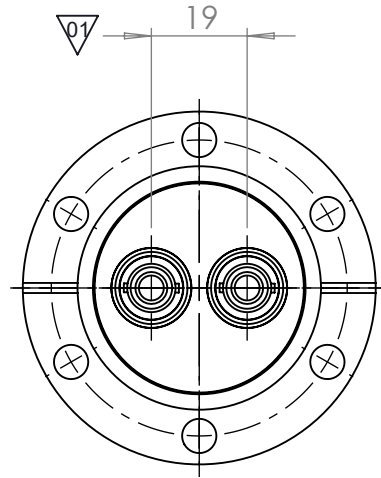
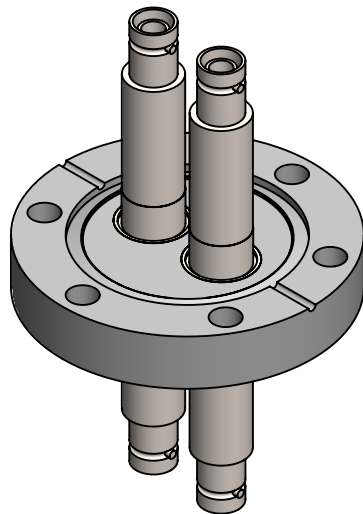


POS. NO.	DESCRIPTION	MATERIAL	QTY
1	modified flange DN40 CF	1.4404 (316L)	1
2	SHV f/t double sided grounded shield, 5KV / 5A max	Stainless Steel	2



air side connectors included



<1 E-10 mbar*/sec, He, according to DIN EN 1779-A3
Definition Leckprüfung (definiton leak check)

Zeichnung Nutzung (SCOPE OF DRAWING) Drawing external usage for customer		Prüfung Zubehör. (CON + HSG CHECK)		Bemerkung (REMARKS)		Kanten (EDGES)		PROJECTION		
All informations provided in this drawing is considered to be confidential, proprietary and secret information. It is intended only for the use of individual or entity to whom it is sent. Individual or entity agrees to not disseminate or copy this information to anyone other than originally specified without the written consent Allectra GmbH.		Werkstoff (MATERIAL): Gewicht (WEIGHT):		Toleranz (TOLERANCE) DIN EN ISO 13920-C (welding ASSY)						
		Oberfläche (SURFACE) Cleaned UHV- Compatible		Maßstab (SCALE): Format. (FORM) PAGE NO						
				1:1.5 A4 1		PAGES 1		Rauheit (ROUGHNESS) 		
origin	name	Allectra standard		DATE	NAME	Benennung (DESCRIPTION): 2 off SHVD f/t on flange DN40 CF				
	(drw/doc/sketch)			Design	12.07.2024 AD					
	date			Drawn	12.07.2024 AD					
				Check	12.07.2024 JB					
01	f/t orientation changed		Approv	12.07.2024 AD	Zeich. Nr. (Drw. No.): 241-SHVD-C40-2				REV	01
REV Beschreibung (CHANGING)		gesp. am (SAVE DAT.): 12.07.2024		Art. Nr. (PART NO.) 241-SHVD-C40-2						

