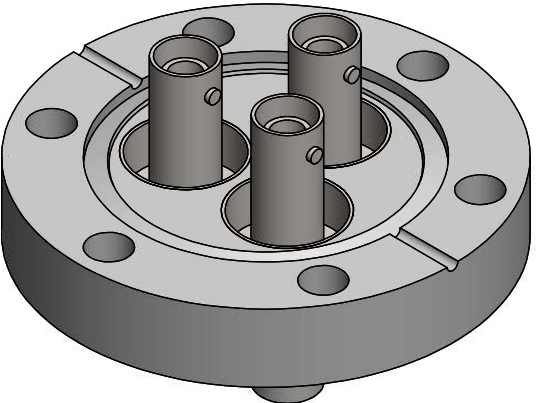
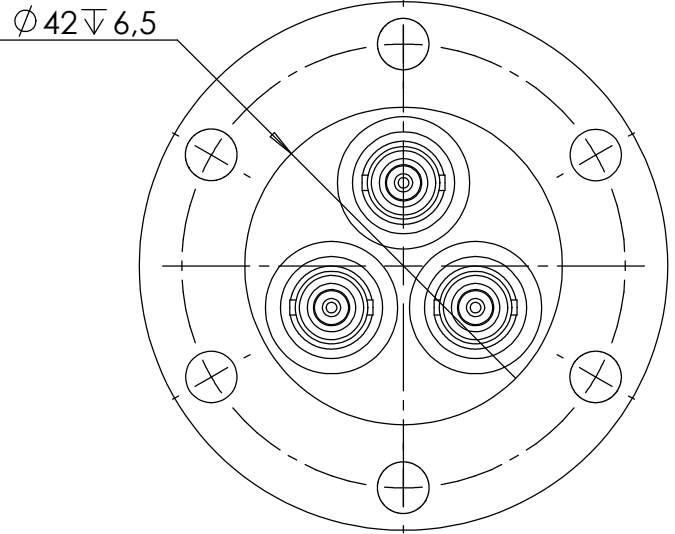
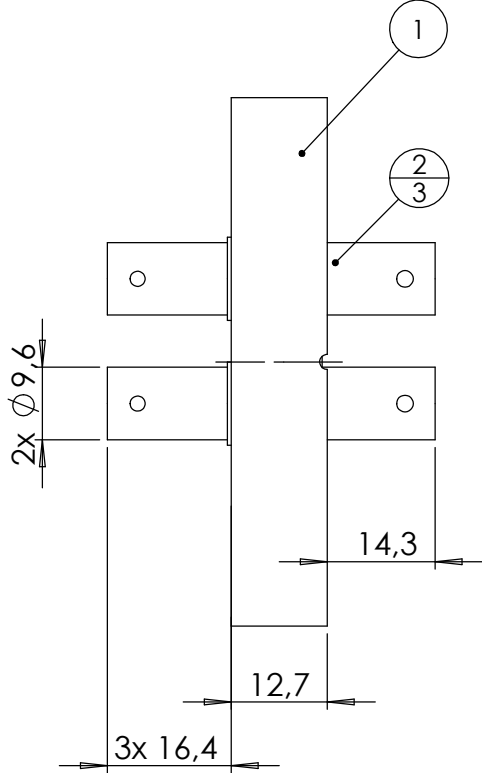
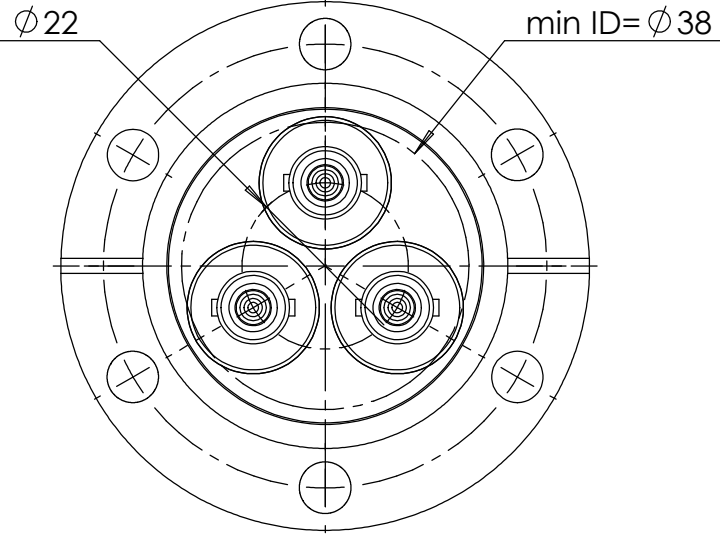


POS-NR.	DESCRIPTION	MATERIAL	QTY
1	modified flange DN40 CF	1.4404 (316L)	1
2	coaxial f/t type SHV50, double sided, grounded shield	Stainless Steel	3



Bemerkungen (Remarks)				Freimaßtoleranz (Standard Toleranz)		Maßstab (Scale)	Rauheit (Roughness)		europ. Projektion	
All informations provided in this drawing is considered to be confidential, proprietary and secret information. If is intended only for the use of individual or entity to whom it is sent. Individual or entity agrees to not disseminate or copy this information to anyone other than originally specified without the written consent Alectra GmbH.				Datum		1:1	Material, Standard Oberfläche (Treatment)		Kanten (edges)	
				Name						
Design				29.06.2020	AD	Bezeichnung (Title) 3 off SHVD50 f/t on flange DN40 CF		Gewicht (weight) g 309.21		
Drawn				29.06.2020	AD					
Check										
Index				Modification	Datum	Name	Zeichnungsnummer (Drawing No.) 242-SHVD50-C40-3		Revision	
							Datei (File) C:\PDM-Store\C:\PDM-Store\		Format A4	