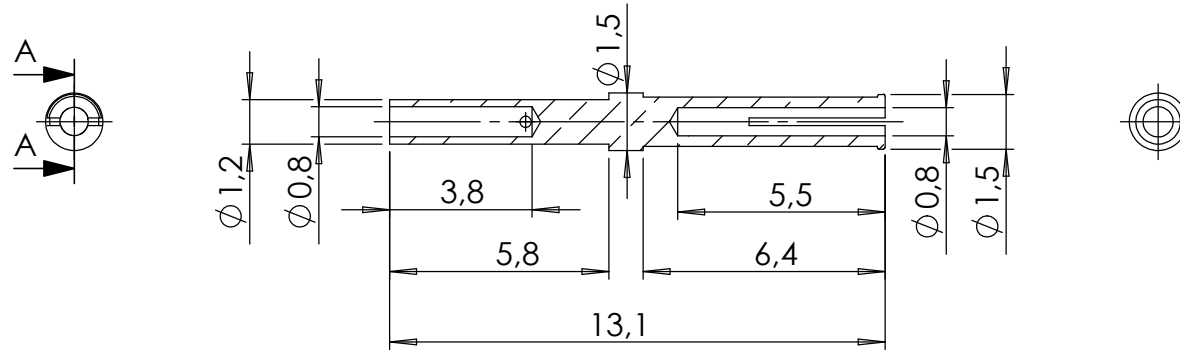
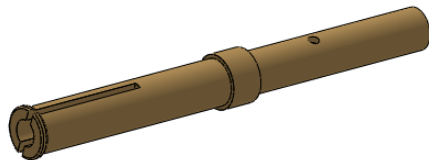


### SCHNITT A-A



M 1:1



Bemerkungen (Remarks)				Freimaßtoleranz (Standard Toleranz)		Maßstab (Scale)	Rauheit (Roughness)	europ.Projektion	
All informations provided in this drawing is considered to be confidential, proprietary and secret information. If is intended only for the use of individual or entity to whom it is sent. Individual or entity agrees to not disseminate or copy this information to anyone other than originally specified without the written consent Allecra GmbH.				DIN ISO 2768 f-H		5:1	$\sqrt{Rz\ 16\ (Rz\ 6.3)}$		
				Material, Standard Oberfläche (Treatment)		Copper Alloy Gold plated		Kanten (edges) $\pm 0,1$ $\pm 0,25$	
				Datum	Name	Bezeichnung (Title)		Gewicht (weight)	
				Design	20.03.2018	JB	High Density crimp contact female		g
				Drawn	20.03.2018	JB			0.10
				Check					Page: 1
									Pages: 1
						Zeichnungsnummer (Drawing No.)			Revision
						212-PINF-HD			
Index	Modification	Datum	Name	Datei (File)			C:\PDMStore\C:\PDMStore\		Format <b>A4</b>