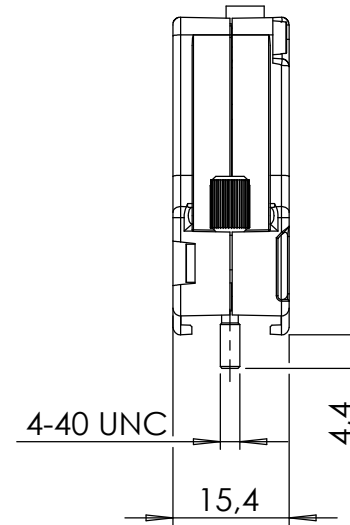
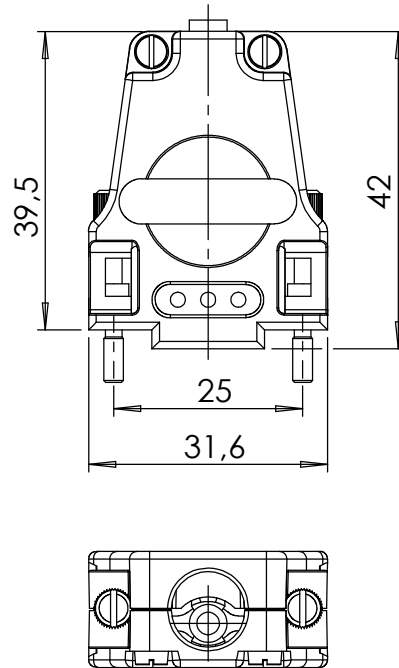
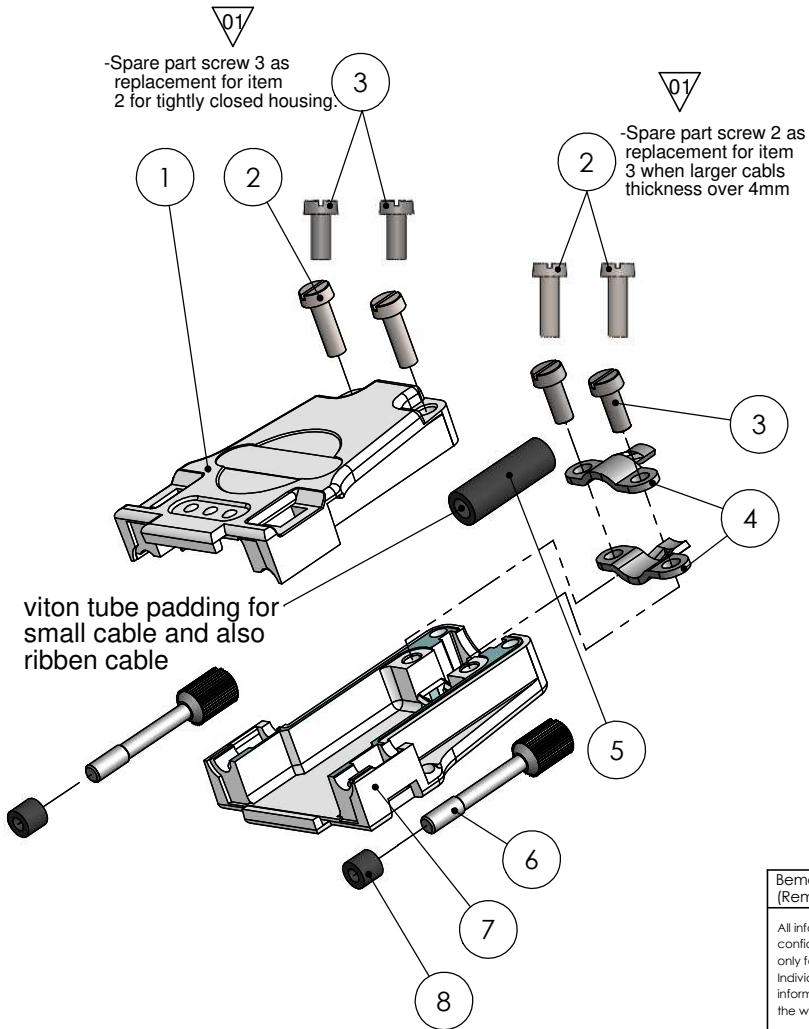


POS-NR.	DESCRIPTION	MATERIAL	QTY
1	housing top part SUB-D 9 pin	Zinc alloy / Nickel plated	1
2	Screw M2.5 x 8	Stainless Steel	01/ 4
3	SCREW M2.5X6	Stainless Steel	01/ 4
4	cable clamp 09	Steel Nickel plated	2
5	viton tube 3x15	VITON	1
6	screw 4-40 UNC	Steel Nickel plated	2
7	housing bottom part SUB-D 9 pin	Zinc alloy / Nickel plated	1
8	viton tube 2x3.5	VITON	2



Bemerkungen (Remarks)				Freimaßtoleranz (Standard Toleranz)	Maßstab (Scale)	Rauheit (Roughness)	europ.Projektion
All informations provided in this drawing is considered to be confidential, proprietary and secret information. It is intended only for the use of individual or entity to whom it is sent. Individual or entity agrees to not disseminate or copy this information to anyone other than originally specified without the written consent Alectra GmbH.				Datum	Name	Material, Standard Oberfläche (Treatment)	Kanten (edges)
				Drawn	14.02.2018	FW	Gewicht (weight)
				Check			47.32
							Page: 1
							Pages: 1
01	new: screws 2x M2,5X6 2x M2,5x8	14.02.18	FW	<b>Bezeichnung (Title)</b> housing for HV-SUB-D connector 9 pin strain relief  <b>Zeichnungsnummer (Drawing No.)</b> 211-HSG-D09-SR-V3			Revision
Index	Modification	Datum	Name				01
							Format <b>A4</b>
				Datei (File) C:\PDMStore\C:\PDMStore\			