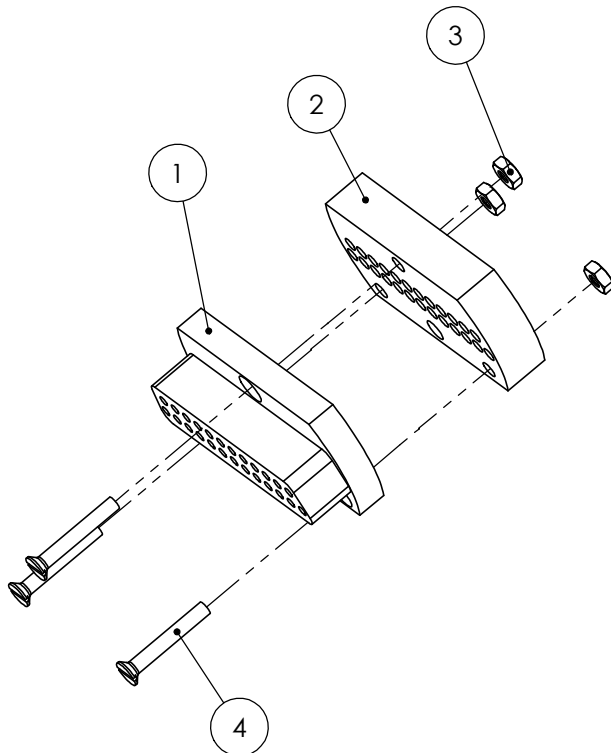
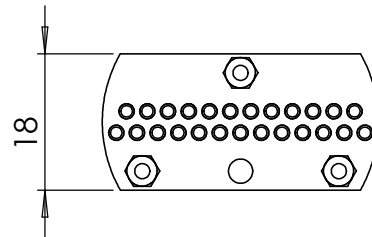
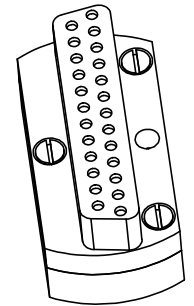
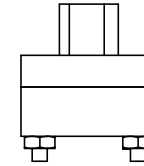
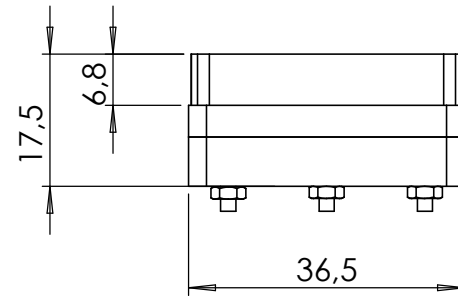
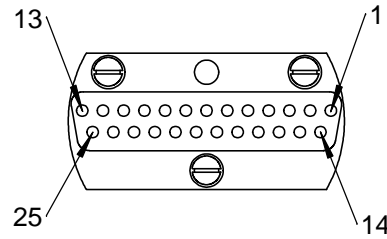


POS-NR.	DESCRIPTION	MATERIAL	QTY
1	front plate for 25 Pin small type	Glass Ceramic	1
2	back plate for 25 Pin small type	Glass Ceramic	1
3	Hexagon Nut M2 DIN934	Stainless Steel	3
4	Countersunk Screw M2X14	Stainless Steel	3



Bemerkungen (Remarks)				Freimaßtoleranz (Standard Toleranz)		Maßstab (Scale)	Rauheit (Roughness)	europ.Projektion				
All informations provided in this drawing is considered to be confidential, proprietary and secret information. It is intended only for the use of individual or entity to whom it is sent. Individual or entity agrees to not disseminate or copy this information to anyone other than originally specified without the written consent Allectra GmbH.						1:1						
				Datum					Name		Material, Standard Oberfläche (Treatment)	Kanten (edges)
				Design 23.05.2014					JB		Bezeichnung (Title) <b>UHV connector 25 pin SMALL</b> <b>standard SUB-D</b>	Gewicht (weight) <b>g</b>
Drawn 30.06.2016		FW		17.56								
Check						Page: <b>4</b>	Pages: <b>6</b>					
				Zeichnungsnummer (Drawing No.) <b>211-FS25-UHV-S</b>				Revision				
				Datei (File) C:\PDMStore\I:\PDMStore\				Format <b>A4</b>				
Index	Modification	Datum	Name									