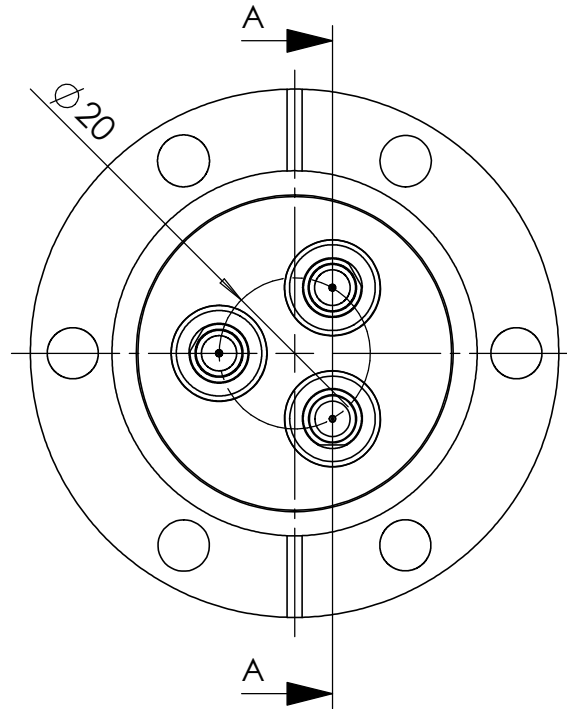
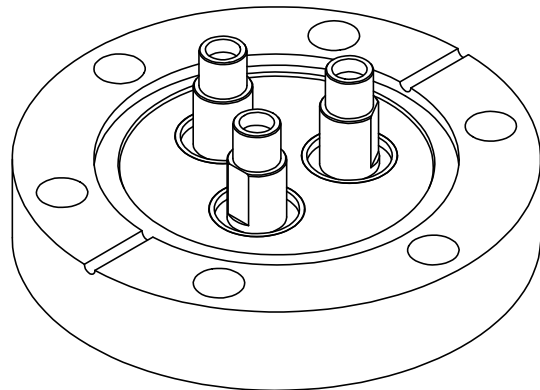
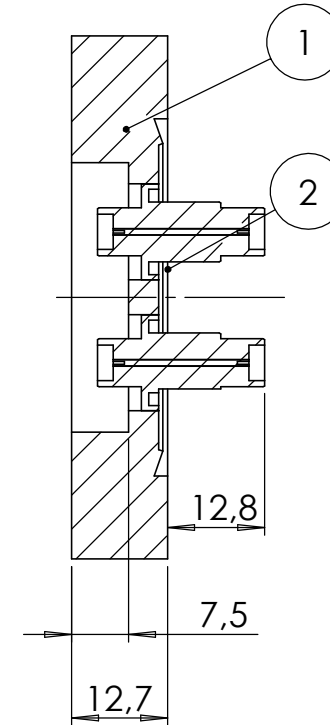


POS-NR.	DESCRIPTION	MATERIAL	QTY
1	modified flange DN40 CF	1.4404 (316L)	1
2	SMA high frequency 27GHz, 50 OHM, welded	stainless steel	3



SCHNITT A-A



Bemerkungen (Remarks)				Freimaßtoleranz (Standard Toleranz)		Maßstab (Scale)	Rauheit (Roughness)	europ.Projektion		
All informations provided in this drawing is considered to be confidential, proprietary and secret information. If is intended only for the use of individual or entity to whom it is sent. Individual or entity agrees to not disseminate or copy this information to anyone other than originally specified without the written consent Allectra GmbH.				Datum		1:1	Material, Standard Oberfläche (Treatment)	Kanten (edges)		
				Name				Bezeichnung (Title)		Gewicht (weight) <b>g</b>
				Design	10.09.2020	JB	<b>3 of SMAD27G on flange DN40 CF</b>		275.83	
				Drawn	10.09.2020	JB			Page:	Pages:
				Check					1	1
							Zeichnungsnummer (Drawing No.)		Revision	
							242-SMAD27G-C40-3			
Index	Modification	Datum	Name	Datei (File) C:\PDMStore\C\PDMStore\			Format <b>A4</b>			