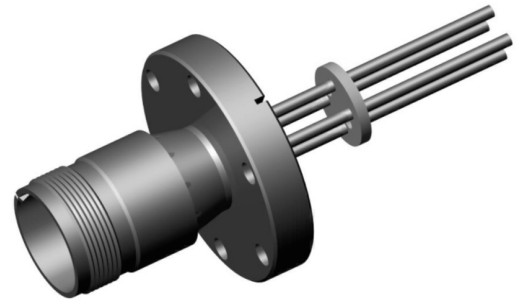


## High Current f/t's with Air Side Connectors

Allectra offers a series of high current feedthroughs with air side connectors. They allow 23 or 40 A per pin with a min. voltage rating of 700V. Versions with 2 to 8 pins are available.

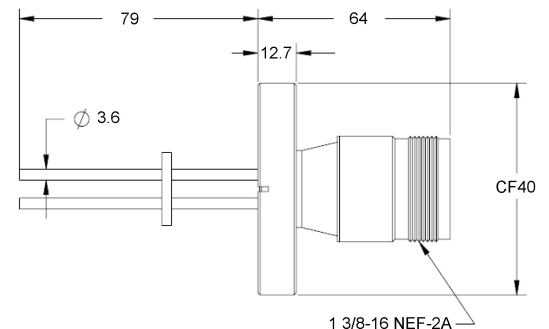


23A Feedthroughs on CF 40 Flanges min. 700V, 23 Amps per Pin, Copper				
SIZE	NO. OF PINS	Voltage	PART NUMBER	€
40CF	2	700V	221-23CU700-2-C40	324,00
40CF	3	1750V	221-23CU700-3-C40	348,00
40CF	4	1250V	221-23CU700-4-C40	402,00
40CF	5	700V	221-23CU700-5-C40	432,00
40CF	7	700V	221-23CU700-7-C40	498,00
40CF	8	700V	221-23CU700-8-C40	534,00

40A Feedthroughs on CF 40 Flanges 700V, 40 Amps per Pin, Molybdenum				
SIZE	NO. OF PINS	Voltage	PART NUMBER	€
40CF	2	700V	221-40MO700-2-C40	396,00
40CF	4	700V	221-40MO700-4-C40	480,00

	23A Version	40A Version
Pin $\varnothing$	2.4mm	3.6mm
Pin Material	Copper	Molybdenum
Pin Option	Nickel (15A)	Nickel (25A)
Available on KF	no *	yes (KF40)
Available as weldable	no *	yes ( $\varnothing$ 25.4mm)
In Vacuum Length	68mm	79mm
Connector included	yes	yes



Dimension of 40A version

\*) 16A versions with Nickel pins are available on CF, KF and as weldables.  
2 and 4 Pin versions are offered. Please ask for quote.

All data given in this sheet are carefully checked but are open to change at any time.  
Last revised 2008/05/08