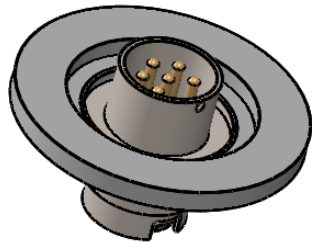
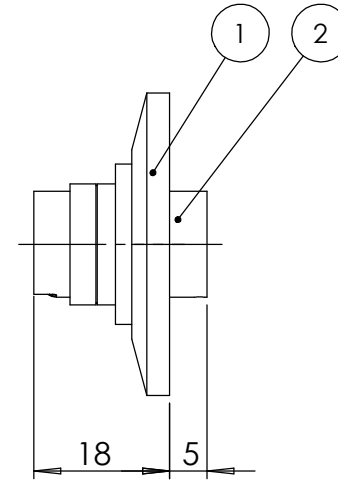
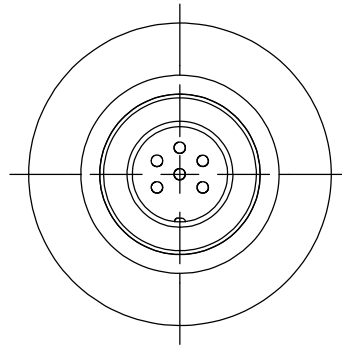


| POS-NR. | DESCRIPTION | MATERIAL | QTY |
|---------|-------------------------|-----------------|-----|
| 1 | modified flange DN25 KF | 1.4301 (304) | 1 |
| 2 | 6 pin CM feedthrough | stainless steel | 1 |



| | | | | | | | | | | |
|--|--------------|-------|------|--|------------|-----------------------------------|--|------------------|------------------|--------|
| Bemerkungen (Remarks) | | | | Freimaßtoleranz (Standard Toleranz) | | Maßstab (Scale) | Rauheit (Roughness) | | europ.Projektion | |
| All informations provided in this drawing is considered to be confidential, proprietary and secret information. If is intended only for the use of individual or entity to whom it is sent. Individual or entity agrees to not disseminate or copy this information to anyone other than originally specified without the written consent Allectra GmbH. | | | | | | 1:1 | | | | |
| | | | | Material, Standard | | | | | | |
| | | | | Oberfläche (Treatment) | | | | | | |
| | | | | Bezeichnung (Title) | | | Gewicht (weight) | | | |
| | | | | Design | 25.08.2017 | NH | circular miniature 6pin f/t on flange DN25 KF | | g | |
| | | | | Drawn | 25.08.2017 | NH | | | Page: | Pages: |
| | | | | Check | | | | | 1 | 1 |
| | | | | | | Zeichnungsnummer (Drawing No.) | | Revision | | |
| | | | | | | 220-CM6-K25 | | | | |
| Index | Modification | Datum | Name | Datei (File) | | X:\PDM-Store-NHX:\PDM-Store-NH\ | | Format A4 | | |