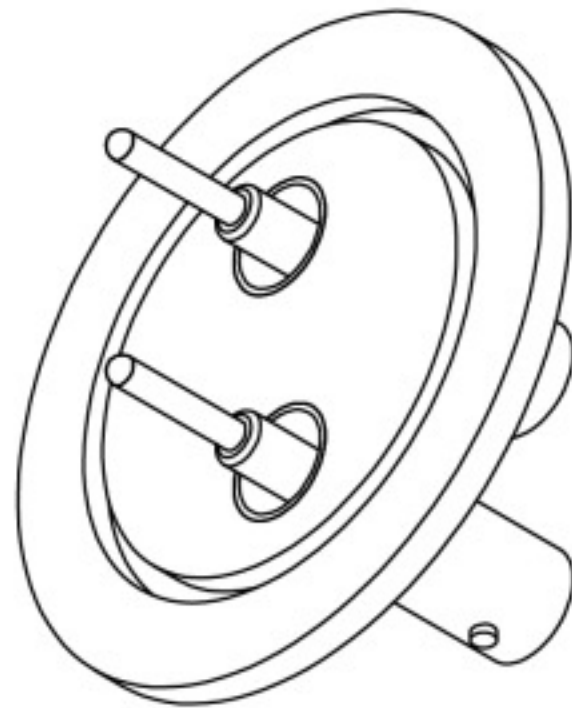
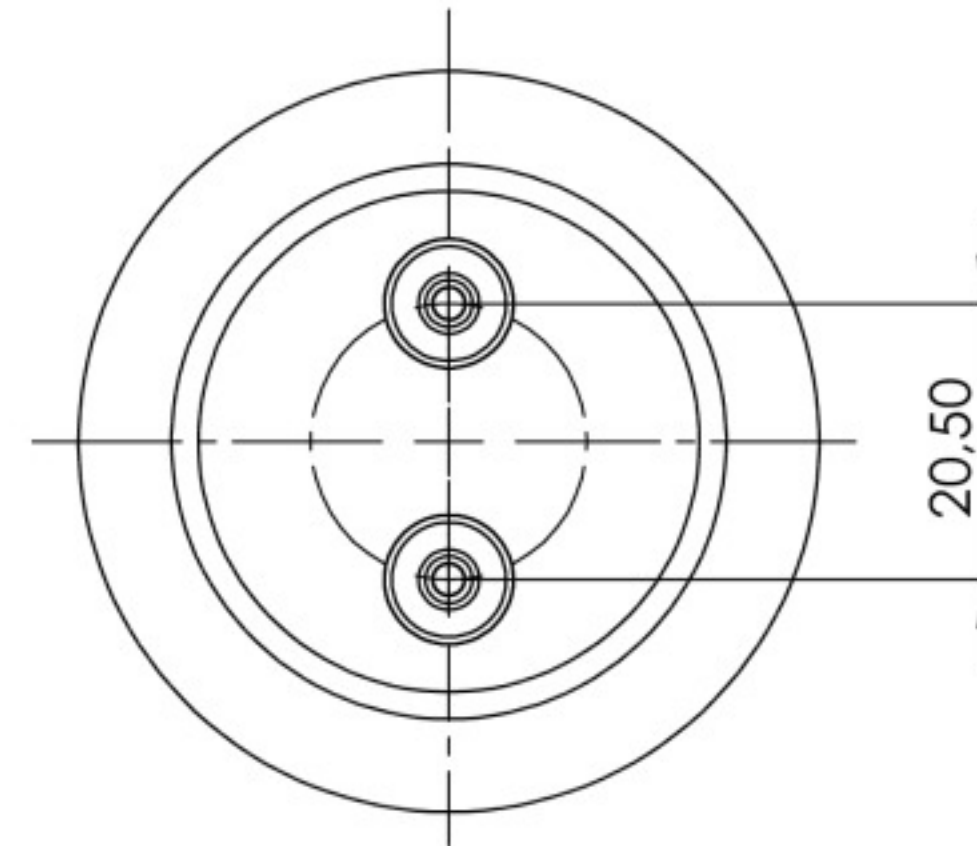
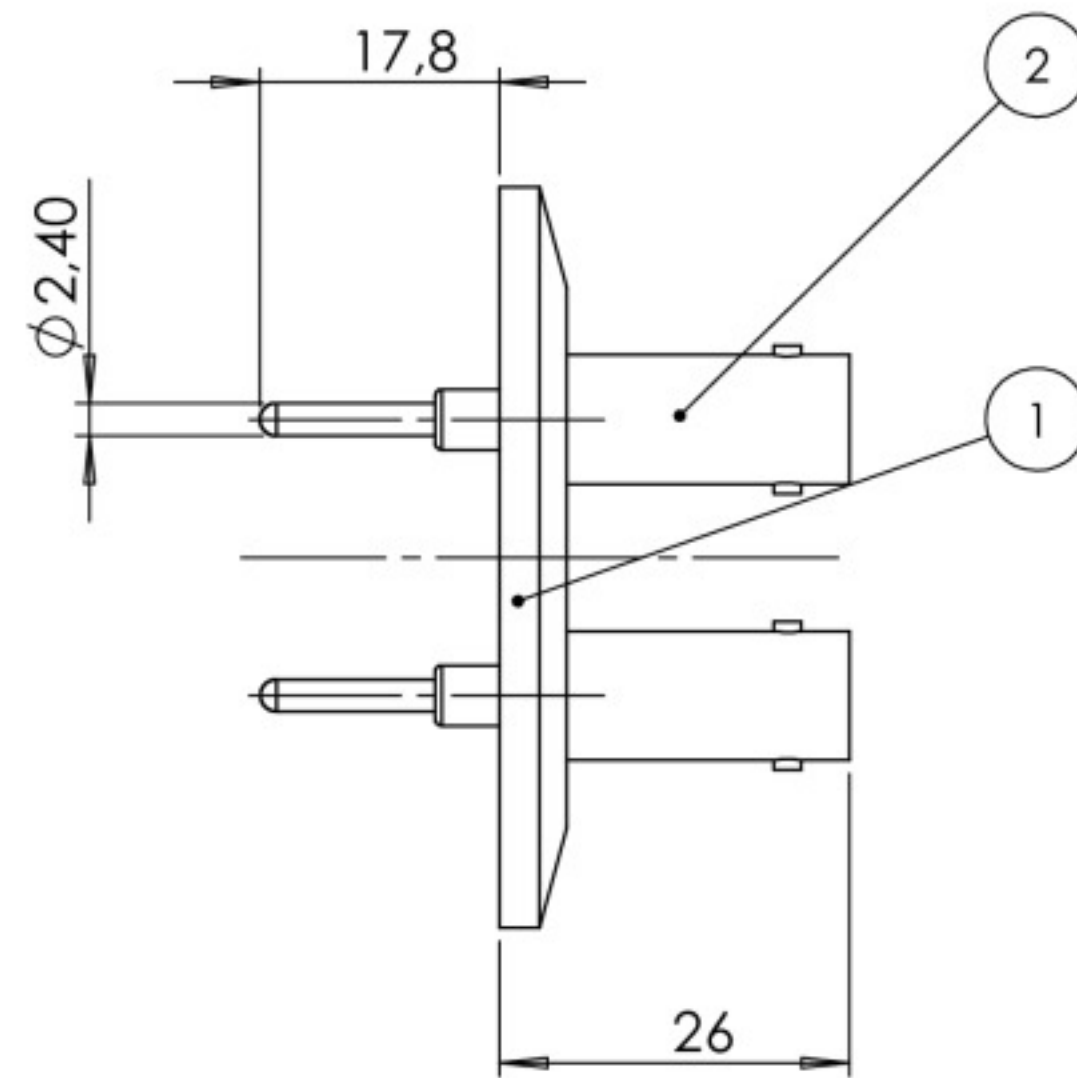


POS-NR.	DESCRIPTION	MATERIAL	QTY
1	Modified Flange DN40 KF	1.4301 (X5CrNi18-10)	1
2	BNC F/T Grounde Shield 50 Ohm	Stainless Steel	2



Bemerkungen (Remarks)				Freimaßtoleranz (Standard Toleranz)		Maßstab (Scale)		Rauheit (Roughness)		europ. Projektion	
All informations provided in this drawing is considered to be confidential, proprietary and secret information. It is intended only for the use of individual or entity to whom it is sent. Individual or entity agrees to not disseminate or copy this information to anyone other than originally specified without the written consent Allectra GmbH.				Datum		Name		Material, Standard Oberfläche (Treatment)		Kanten (edges) L+0.1 L-0.25	
				Design		13.09.2013		JB		Gewicht (weight)	
				Drawn		13.09.2013		JB		92.58	
				Check						Page: 1	
										Pages: 1	
										Revision 00	
00											
Index				Modification		Datum		Name		Format A4	
								Zeichnungsnummer (Drawing No.)		242-BNC50-K40-2	
								Datei (File)		F:\Products\SEC02\24\242\F:\Products\SEC02\24\242\	