



RD6 & RD7 Primary Rotary Drives

The RD6 is a manual or motorised rotary drive with an ungraduated handwheel which includes a position lock and a V groove for motorisation with a 100mm shaft length.

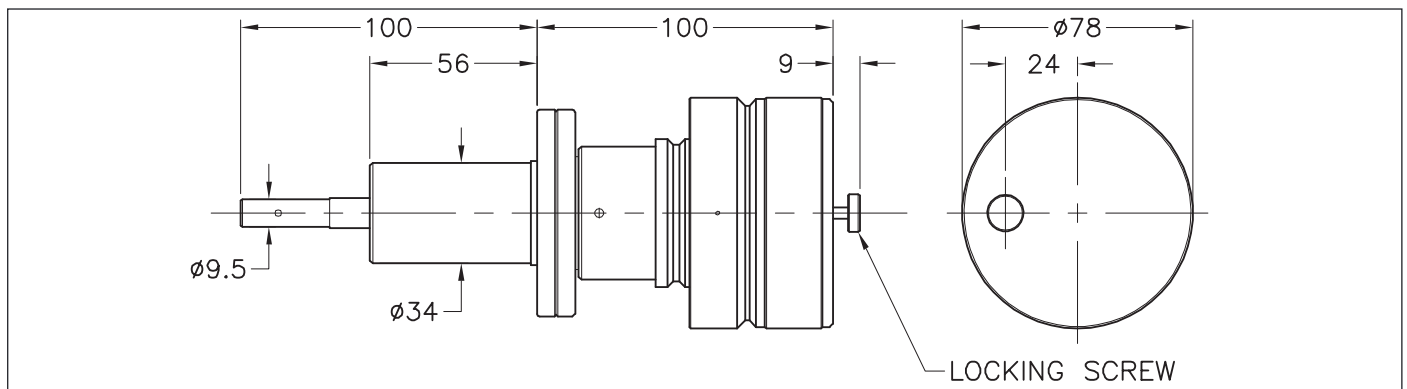


Product Overview

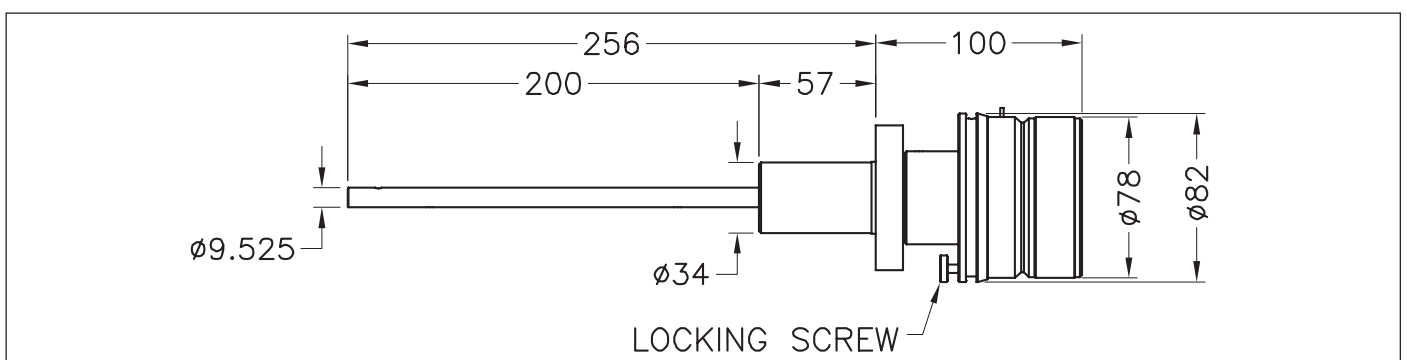
- Continuous rotation
- Angular repeatability of 0.5°
- High speed/medium torque
- Rotation lock
- Bakeable to 230°C (motor and gearbox removed), and to 400°C (partially dismantled)
- Axial load 40N
- RD6/RD6L shaft 9.5mm diameter, 100mm length
- RD7 shaft 9.5mm diameter, 256mm length
- Motorisation options
- Encoder options available

The RD7 has a graduated handwheel with 1.0° graduations, a 256 mm rotational shaft and hand wheel with position lock.

RD6 precision manual rotary drive



RD7 precision manual rotary drive





RD6 & RD7 Primary Rotary Drives

RD6 Primary Rotary Drives

Flange OD mm	Type of Rotation	Resolution Degrees	Torque Nm 300 rpm	Torque Nm10 rpm	Gear Ratio	Notes	Order Code
70	Manual	-	0.8	5	-		ZRD6

RD7 Primary Rotary Drives

Flange OD mm	Type of Rotation	Resolution Degrees	Torque Nm 300 rpm	Torque Nm10 rpm	Gear Ratio	Notes	Order Code
70	Manual	1	0.8	5	-		ZRD7