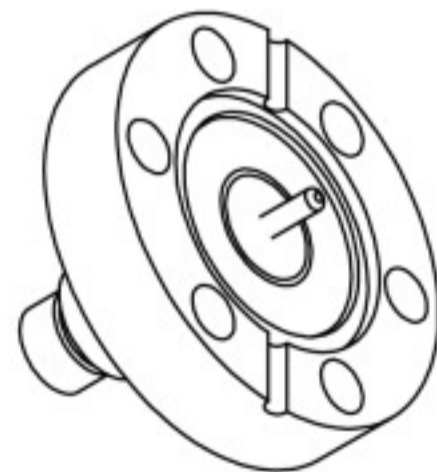
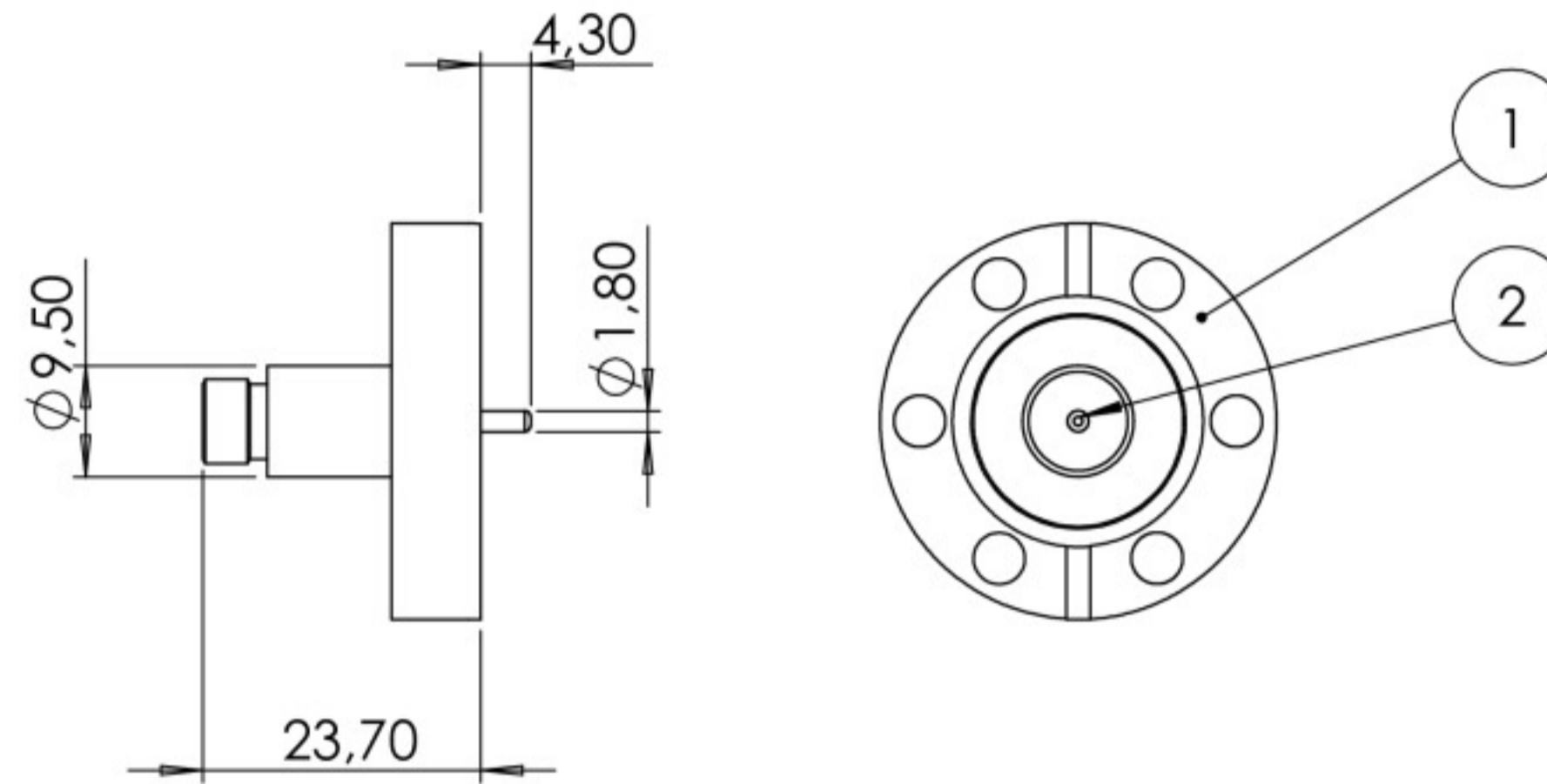


POS-NR.	PART NUMBER	DESCRIPTION	MATERIAL	QTY
1	411-CFB16	Blank Flange	1.4404	1
2	242-SMA50	SMA 50 Ohm impedanced F/T	Stainless Steel	1



Bemerkungen (Remarks)				Freimaßtoleranz (Standard Toleranz)		Maßstab (Scale)	Funktionsmerkmale nach ISO/TS 16949 (functional featur after ISO/TS 16949)	Rauheit (Roughness)	europ.Projektion	
All informations provided in this drawing is considered to be confidential, proprietary and secret information. It is intended only for the use of individual or entity to whom it is sent. Individual or entity agrees to not disseminate or copy this information to anyone other than originally specified without the written consent Allectra GmbH.				DIN ISO 2768 f-H		1:1	Material, Standard Oberfläche (Treatment)	$\sqrt{Rz 16 (Rz 6.3)}$	Kanten (edges)	
								Bezeichnung (Title)	Gewicht (weight)	
				Datum	Name	SMA 50 Ohm impedanced F/T grounded shield onto CF16			g	
				Design	05.06.2013	JB				46.12
				Drawn	05.06.2013	JB				Page: 1
				Check						Pages: 1
							Zeichnungsnummer (Drawing No.)			Revision
							242-SMA50-C16			
Index	Modification	Datum	Name				Datei (File) F:\Products\SEC02\24\242\F:\Products\SEC02\24\242\			Format A4