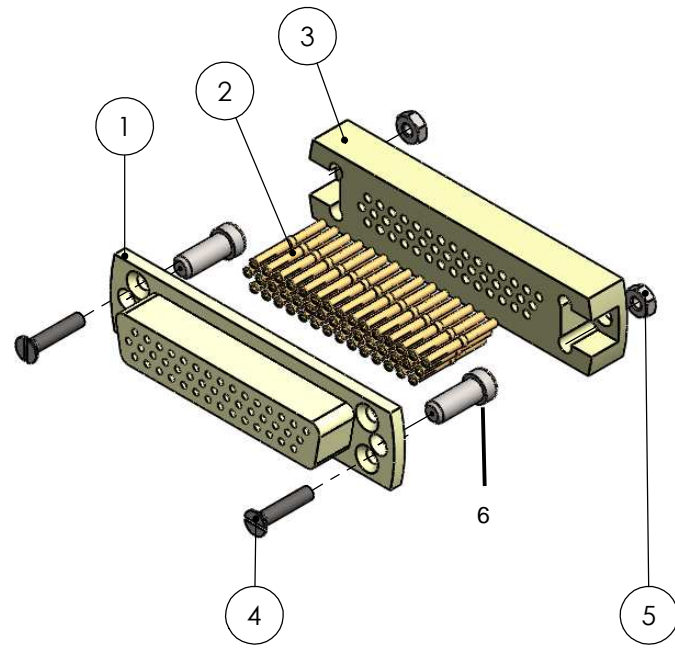
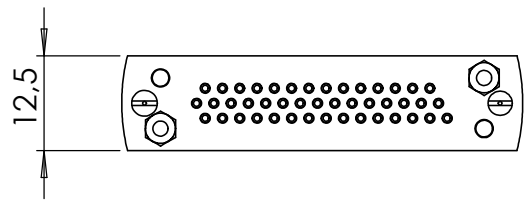
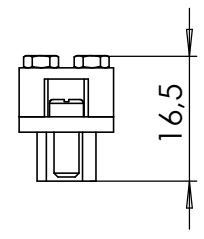
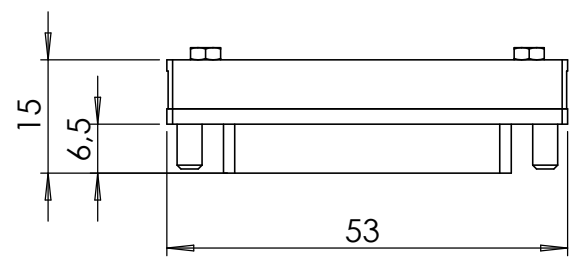
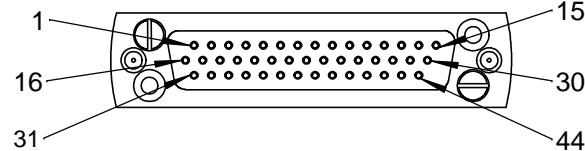


POS-NR.	DESCRIPTION	MATERIAL	QTY
1	front plate for SUB-D 44 pin female	Al2O3	1
2	Crimp Pin 0.7mm	Copper Alloy Gold plated	44
3	back plate for SUB-D 44 Pin	Ceramic	1
4	Countersunk Screw M2X10	Stainless Steel	3
5	Hexagon Nut M2 DIN934	Stainless Steel	2
6	Slotted Cheese Screw 4-40 UNC	1.4301 (X5CrNi18-10)	2



Bemerkungen (Remarks) All informations provided in this drawing is considered to be confidential, proprietary and secret information. It is intended only for the use of individual or entity to whom it is sent. Individual or entity agrees to not disseminate or copy this information to anyone other than originally specified without the written consent Alectra GmbH.				Freimaßtoleranz (Standard Toleranz)		Maßstab (Scale)	Rauheit (Roughness)		europ.Projektion		
						1:1					
				Datum	Name	Material, Standard Oberfläche (Treatment)					
				Design 03.12.2014	JB	Bezeichnung (Title)					
				Drawn 10.09.2015	FW	UHV connector 44 Pin female					
				Check 10.09.2015		high density SUB-D					
						Zeichnungsnummer (Drawing No.)				Gewicht (weight)	
						211-FS44H-UHV				30.38	
								Page:	Pages:		
								2	2		
								Revision			
								Datei (File)		Format	
								C:\PDMStore\I\C\PDMStore\		A4	
Index	Modification	Datum	Name								