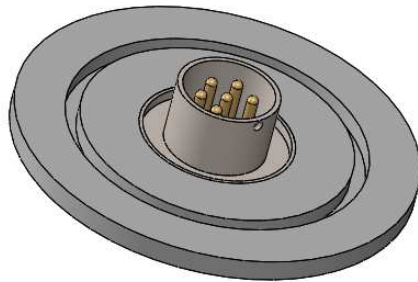
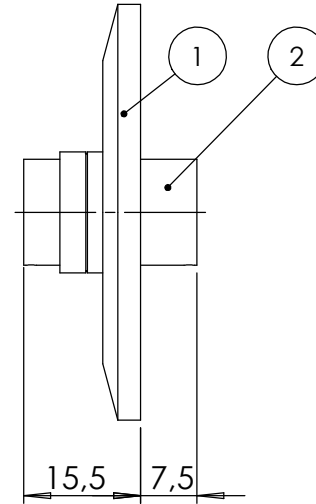
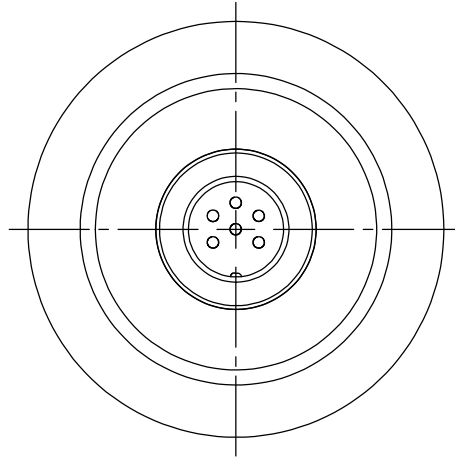


POS-NR.	DESCRIPTION	MATERIAL	QTY
1	modified flange DN40 KF	1.4301 (X5CrNi18-10)	1
2	6 pin Feedthrough	stainless steel	1



Bemerkungen (Remarks)				Freimaßtoleranz (Standard Toleranz)		Maßstab (Scale)	Rauheit (Roughness)		europ.Projektion	
All informations provided in this drawing is considered to be confidential, proprietary and secret information. If is intended only for the use of individual or entity to whom it is sent. Individual or entity agrees to not disseminate or copy this information to anyone other than originally specified without the written consent Alletra GmbH.				Datum		Name	Material, Standard Oberfläche (Treatment)		Kanten (edges)	
				Design	04.09.2015	JB	Bezeichnung (Title) circular miniature 6pin f/t on flange DN40 KF		Page: 1 Pages: 1	
				Drawn	04.09.2015	JB				
				Check						
						Zeichnungsnummer (Drawing No.) 220-CM6-K40		Revision		
Index	Modification	Datum	Name			Datei (File) C:\PDMStore\C\PDMStore\		Format A4		