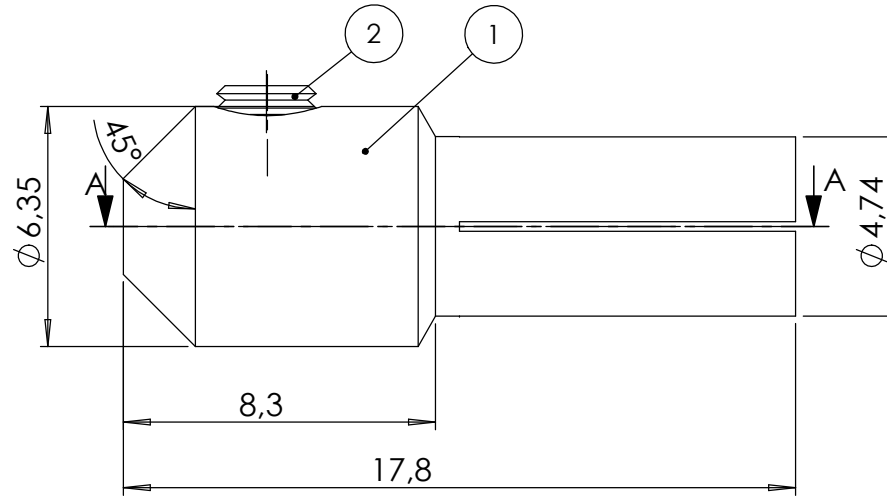
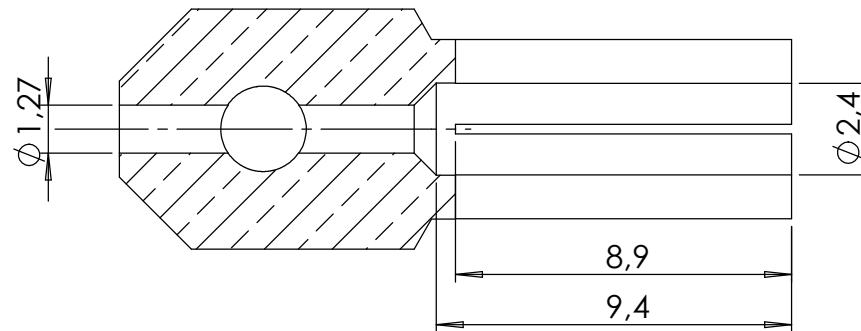


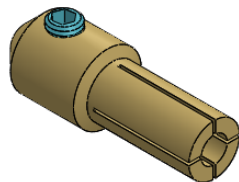
POS-NR.	DESCRIPTION	MATERIAL	QTY
1	power push on contact 2.4mm	2.1247 (CuBe2)	1
2	screw	stainless steel	1



SCHNITT A-A



10 of packed



Bemerkungen (Remarks)				Freimaßtoleranz (Standard Toleranz)	Maßstab (Scale)	Rauheit (Roughness)	europ. Projektion		
All informations provided in this drawing is considered to be confidential, proprietary and secret information. It is intended only for the use of individual or entity to whom it is sent. Individual or entity agrees to not disseminate or copy this information to anyone other than originally specified without the written consent Allectra GmbH.					5:1				
				Material, Standard				Kanten (edges)	
				Oberfläche (Treatment)					
				Bezeichnung (Title)				Gewicht (weight)	
		power push on contact 2.4mm		2.64					
		Zeichnungsnummer (Drawing No.) 360-PPO-2.4		Revision					
Index		Modification		Datum		Name			
Datei (File)		C:\PDMStore\I:\PDMStore\		Format		A4			