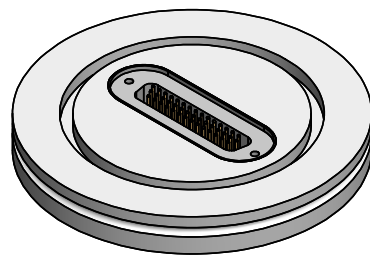
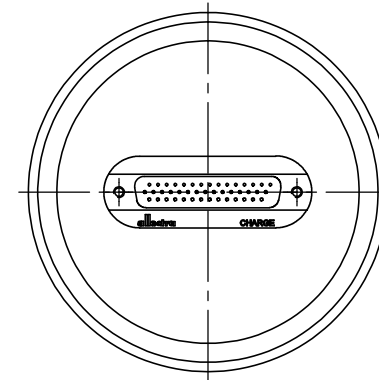
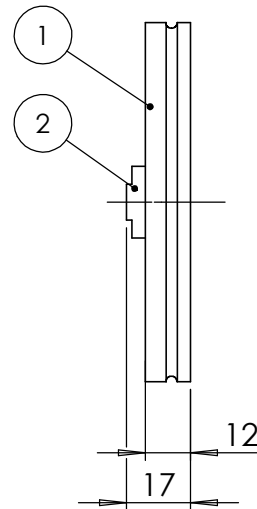
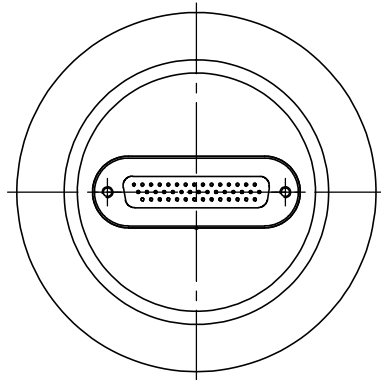



POS-NR.	DESCRIPTION	Material	QTY
1	modified flange DN63 ISO-K	1.4301 (304)	1
2	44 pin SUB-High Density f/t	Stainless Steel	1



Bemerkungen (Remarks) HSG=66				Freimaßtoleranz (Standard Toleranz)		Maßstab (Scale) 1:2	Rauheit (Roughness)	europ.Projektion	
All informations provided in this drawing is considered to be confidential, proprietary and secret information. It is intended only for the use of individual or entity to whom it is sent. Individual or entity agrees to not disseminate or copy this information to anyone other than originally specified without the written consent Allectra GmbH.				Datum		Name	Material, Standard Oberfläche (Treatment)	Kanten (edges)	
				Design	22.09.2020			AD	Gewicht (weight) g
				Drawn	22.09.2020	AD	1 off 44 pin Sub-High Density f/t on flange DN63 ISO-K		Gewicht (weight) g
				Check			Page: 1 Pages: 1		745.78
						Zeichnungsnummer (Drawing No.) 210-HD44-ISO63		Revision	
Index	Modification	Datum	Name			Datei (File) C:\PDM-Store\I\C\PDM-Store\		Format A4	