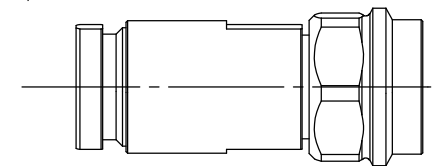
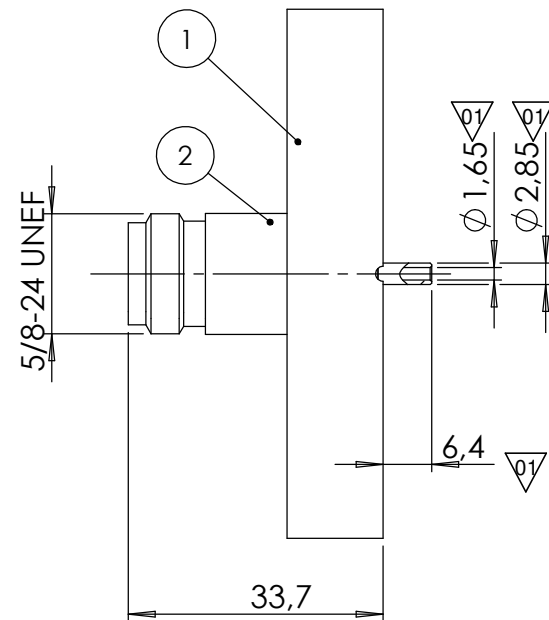
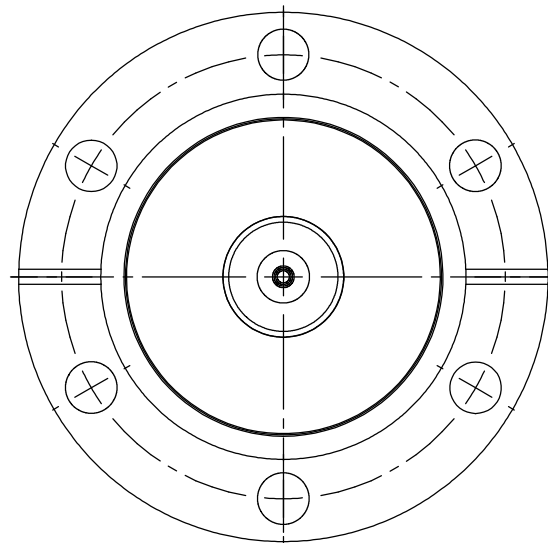
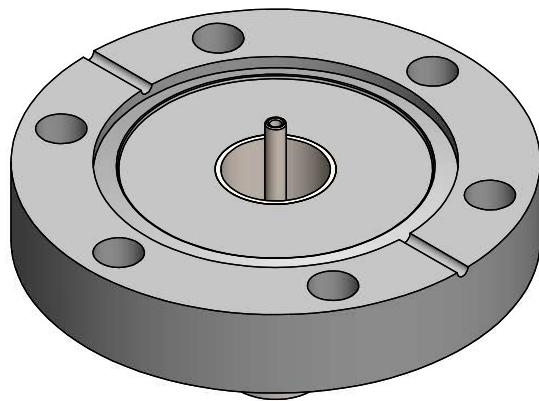


POS-NR.	DESCRIPTION	MATERIAL	QTY
1	modified flange DN40 CF	1.4404 (316L)	1
2	coaxial N 50Ohm f/t, grounded shield	Stainless Steel	1



including air side connector



Bemerkungen (Remarks)				Freimaßtoleranz (Standard Toleranz)		Maßstab (Scale)	Rauheit (Roughness)		europ.Projektion				
All informations provided in this drawing is considered to be confidential, proprietary and secret information. If is intended only for the use of individual or entity to whom it is sent. Individual or entity agrees to not disseminate or copy this information to anyone other than originally specified without the written consent Allectra GmbH.				Datum		Name	Material, Standard Oberfläche (Treatment)		Kanten (edges)				
											Gewicht (weight)		g
01 internal change in N50 f/t				03.09.2020	AD	Bezeichnung (Title)		N-Type grounded shield f/t 50 Ohm on flange DN40 CF		Gewicht (weight)			
Index				Modification	Datum	Name	Zeichnungsnummer (Drawing No.)		242-N50-C40		Revision		
								Datei (File)		C:\PDM-Store\I:\PDM-Store\		Format <b>A4</b>	