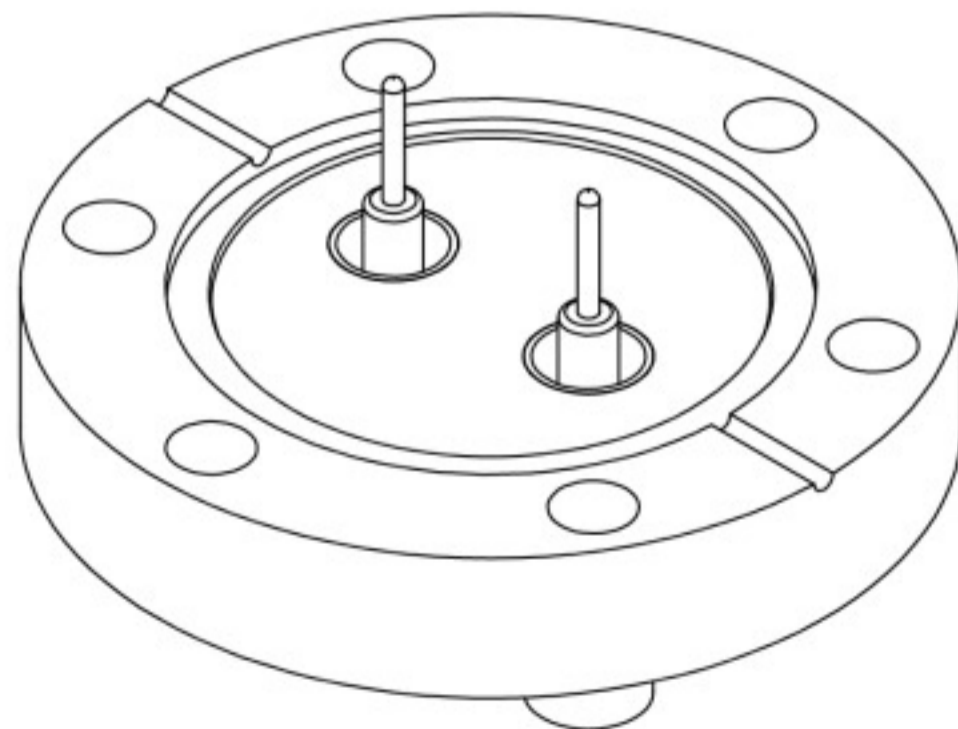
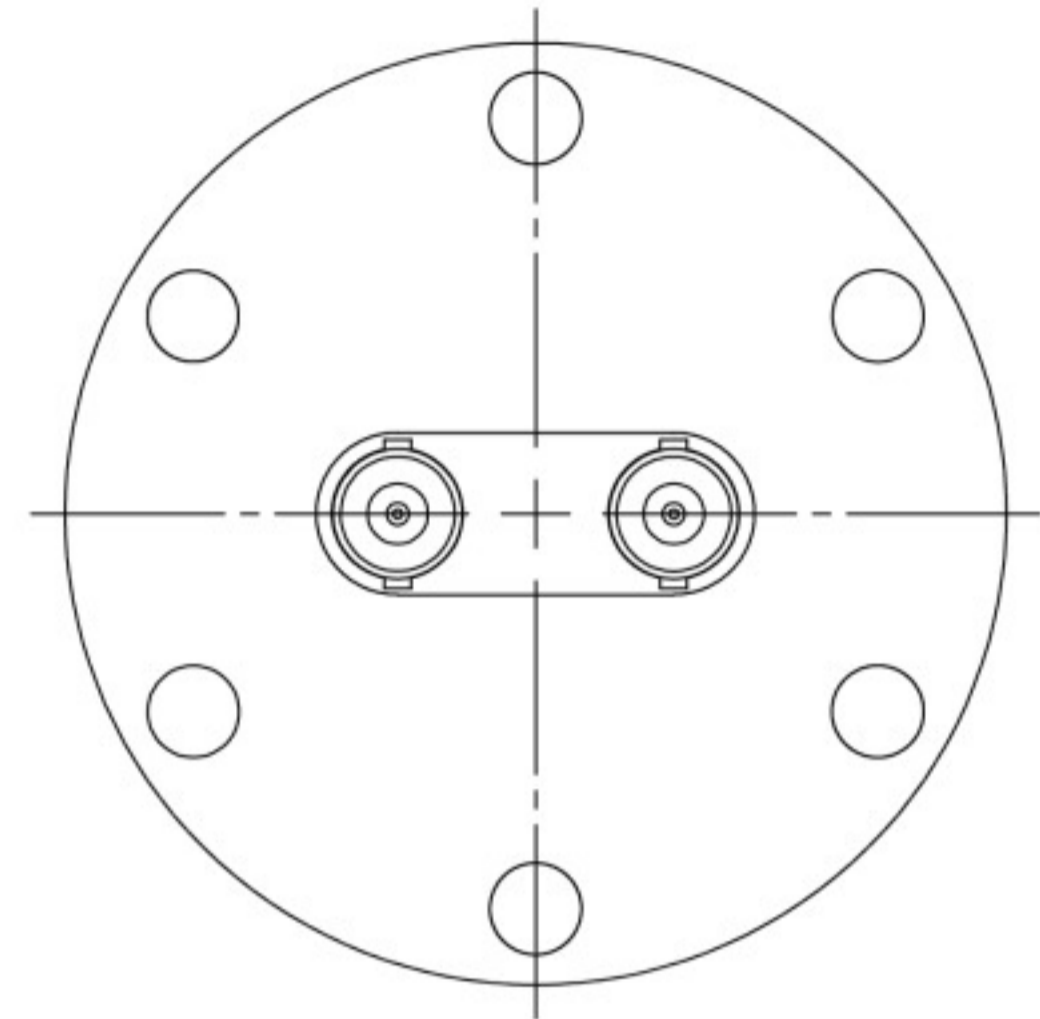
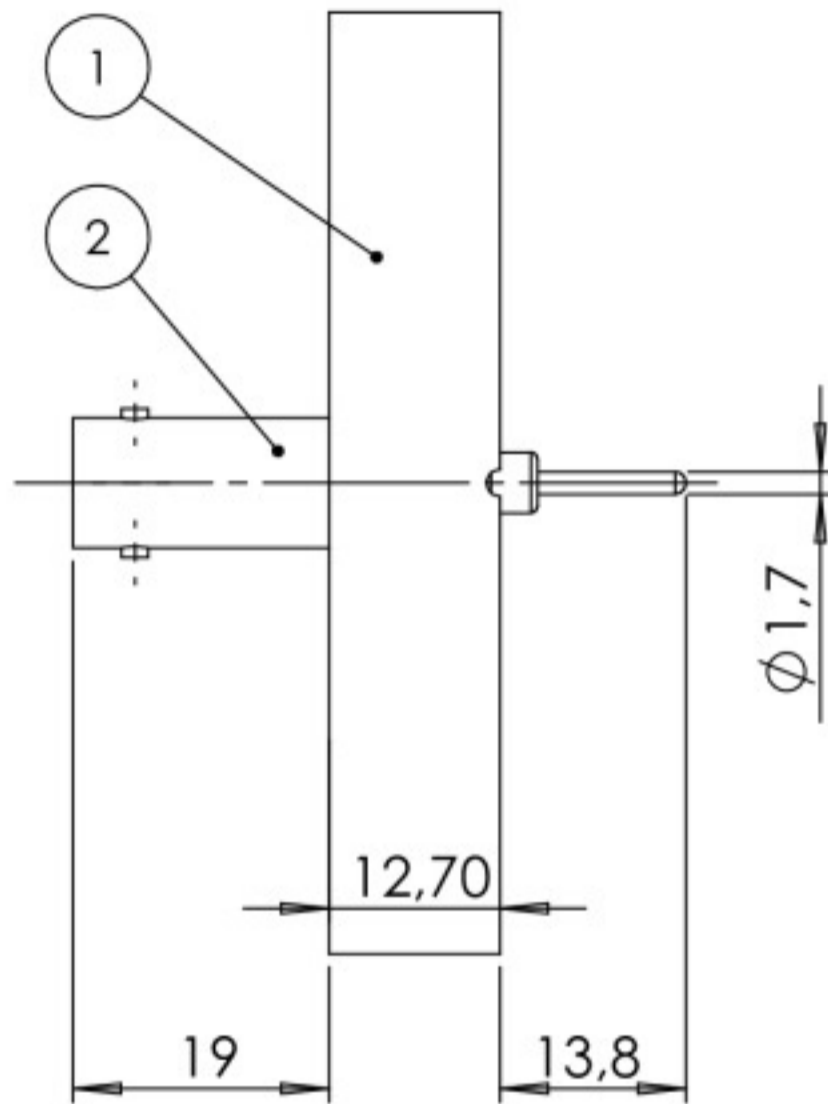
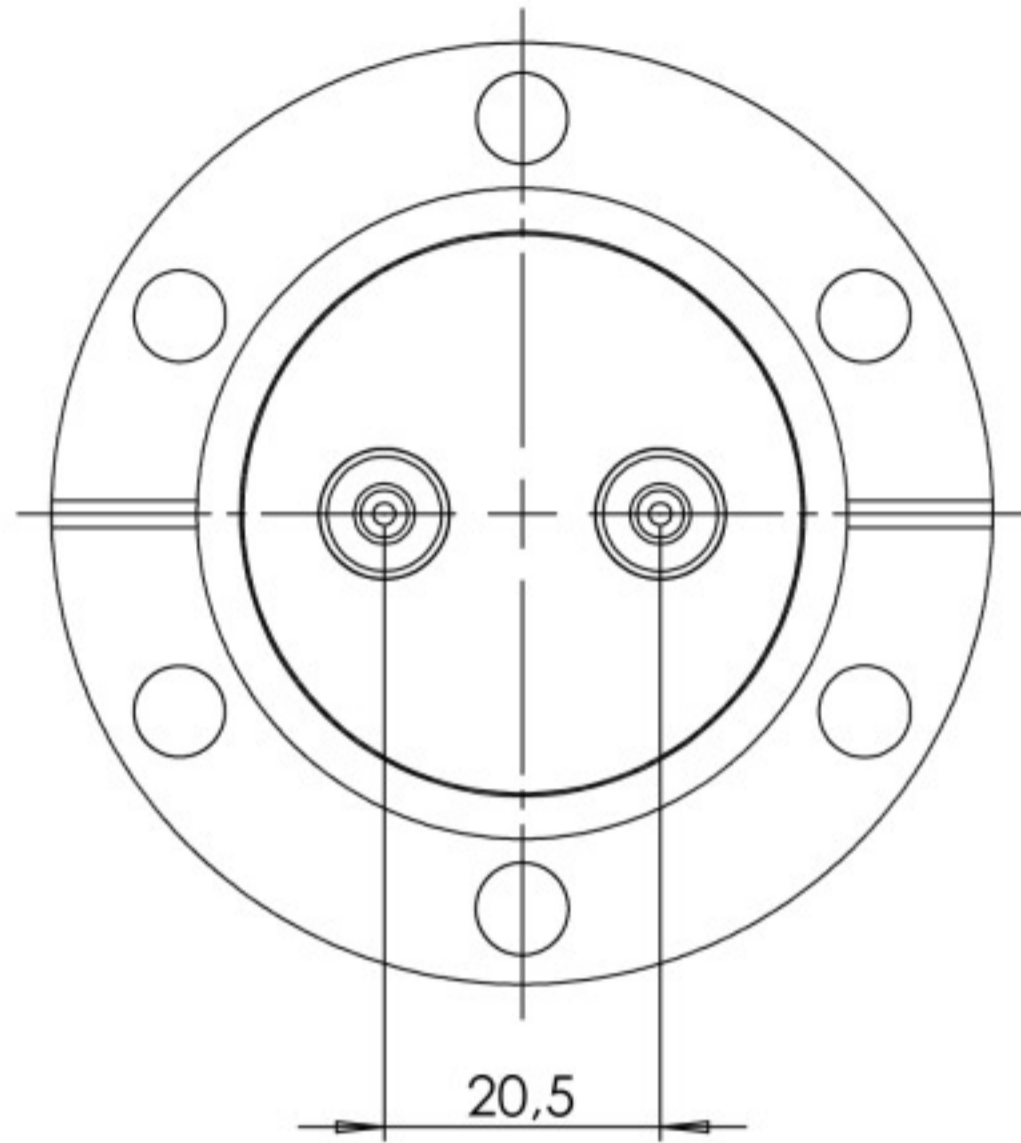


POS-NR.	DESCRIPTION	MATERIAL	QTY
1	Modified Flange DN40 CF	1.4404	1
2	SHV F/T, 50 Ohm Type	Stainless Steel	2



Bemerkungen (Remarks)				Freimaßtoleranz (Standard Toleranz)		Maßstab (Scale)	Rauheit (Roughness)	europ.Projektion	
All informations provided in this drawing is considered to be confidential, proprietary and secret information. It is intended only for the use of individual or entity to whom it is sent. Individual or entity agrees to not disseminate or copy this information to anyone other than originally specified without the written consent Alletra GmbH.						1:1			
		Datum	Name	Material, Standard Oberfläche (Treatment)				Kanten (edges)	
		Design	09.12.2013	FW	Bezeichnung (Title) 2 off SHV50 onto Flange DN40 CF				Gewicht (weight) g
		Drawn	08.07.2014	FW					342.67
		Check	09.07.2014						Page: 1
								Revision	
Index	Modification	Datum	Name	Zeichnungsnummer (Drawing No.) 242-SHV50-C40-2				Format A4	
				Datei (File) C:\PDMStore\C:\PDMStore\					