

380-IVCX and 380-IVCL cables

Cables of the type IVCX and IVCL are UHV compatible vacuum cables, which fit to single sided coaxial feedthroughs. So even with a single sided feedthrough, a connector on the vacuum side with a fitted coaxial cable is possible. Please note, that this combination is not impedance matched.



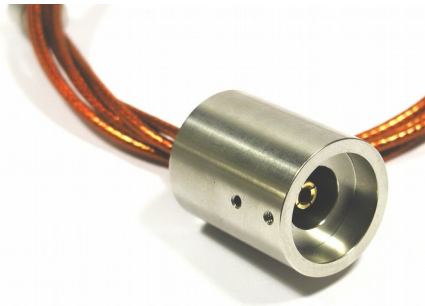
IVCX For use with:
BNC type 241-BNC-C16, 241-BNC-C40 and multiple BNC feedthroughs of this type on one flange
MHV type 241-MHV-C16, 241-MHV-C40 and multiple MHV feedthroughs of this type on one flange and other feedthroughs with a pin diameter of 2.4mm.

IVCL: For use with :
BNC Floating shield type 241-BNCF-C40 and multiple BNCF feedthroughs of this type on one flange
MHV Floating shield types with non-matched impedance

Please note, that the voltage rating of the IVCX / IVCL cables is 500V DC.
 Used Cable: 50 Ohm Coaxial cable type 311-KAP50

User End: A screw connector with 1.8mm ID is fitted to the inner conductor. The screen is connected to a SS part with 10mm OD . It has a M2 thread for fixation

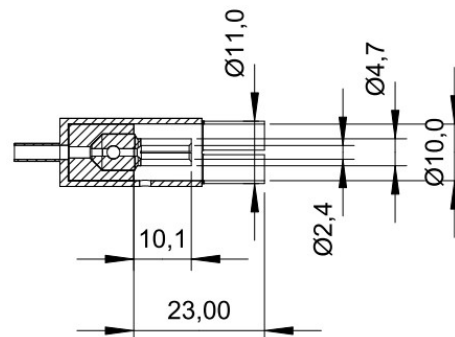
Standard cable length are 500mm and 1000mm, custom lengths are possible.
 Versions without user end but free cable end are available as well.



IVCL Cable



IVCX Cable with user end



IVCX Cable