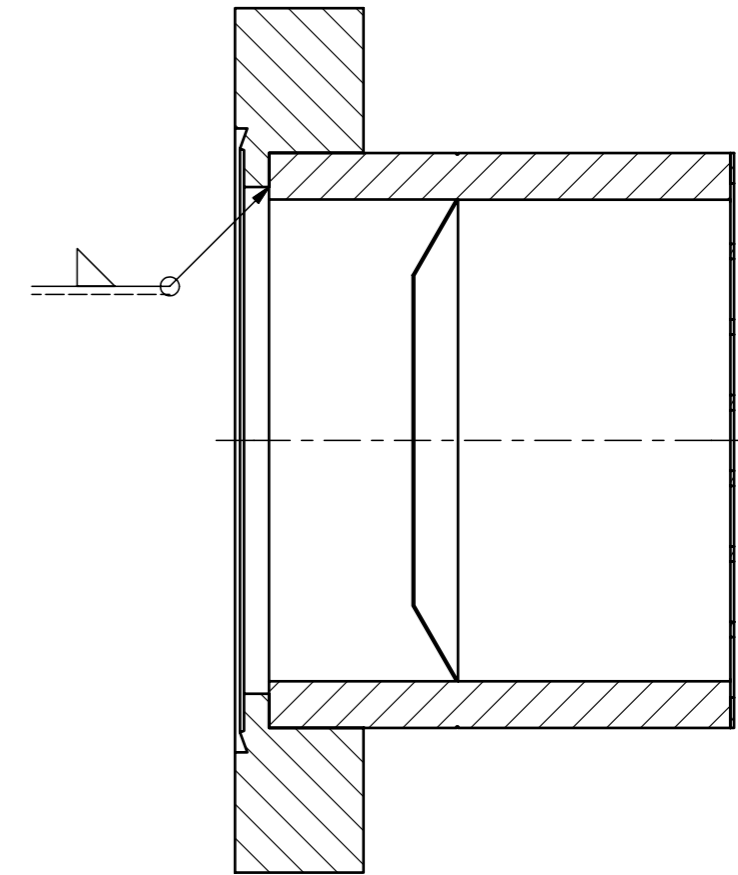
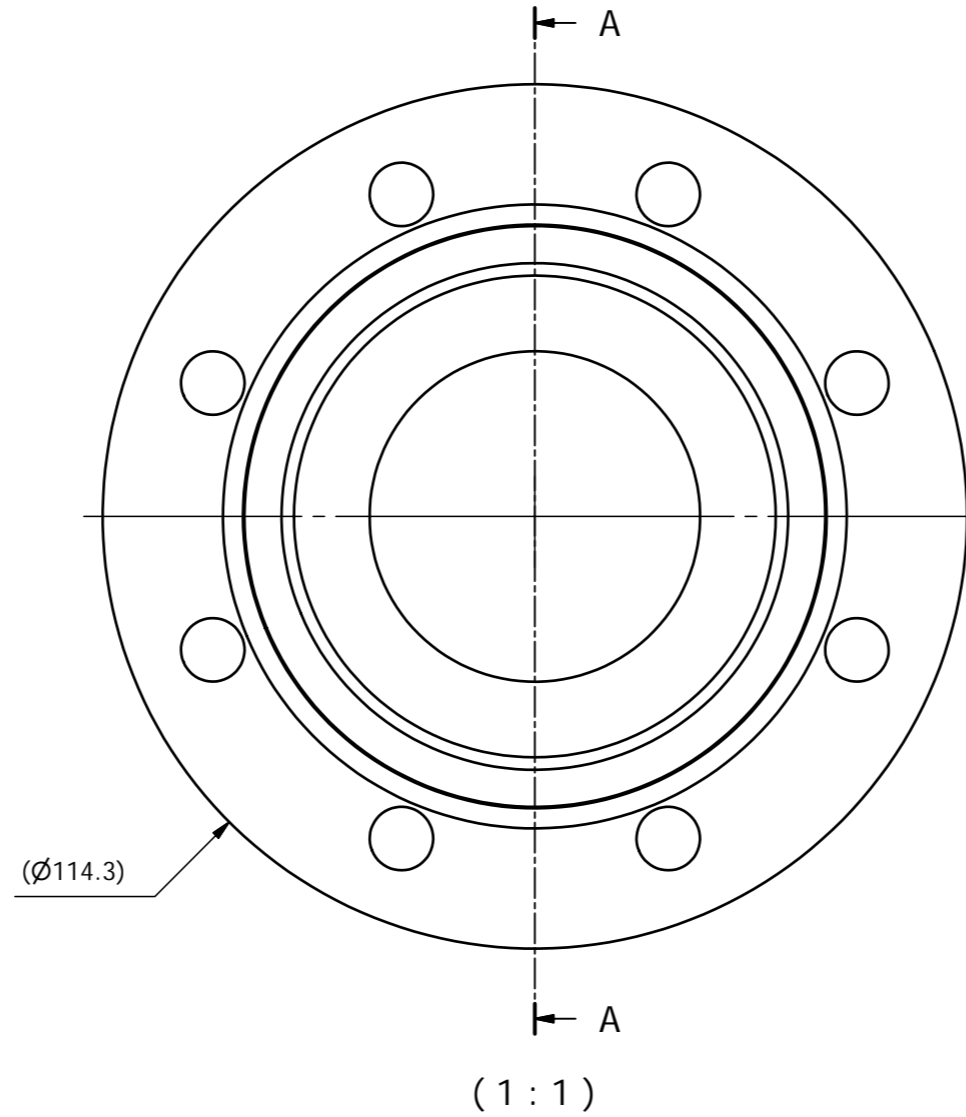
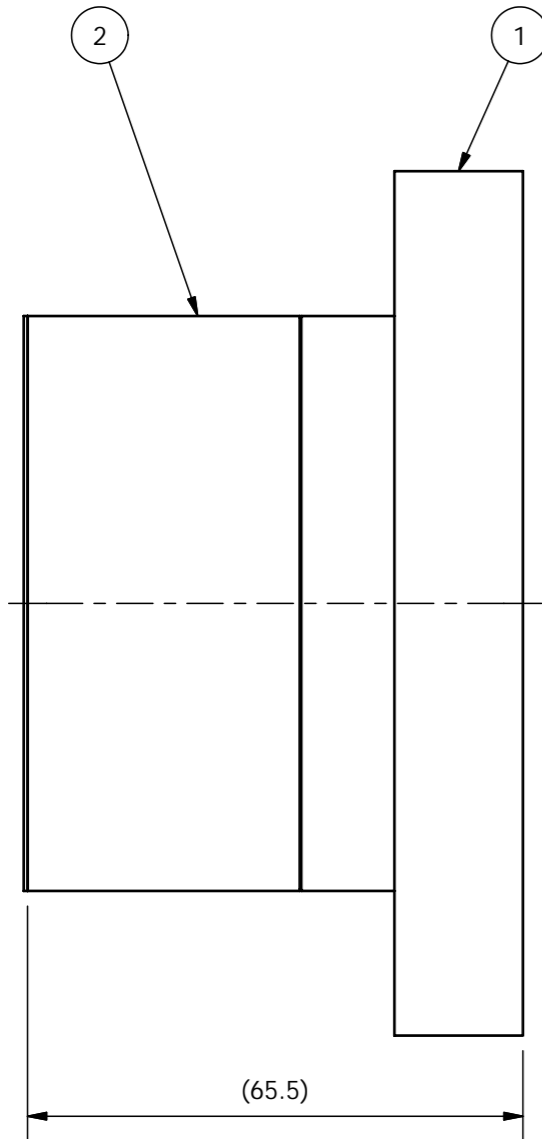


REVISION HISTORY			
ISSUE	DESCRIPTION	DATE	APPROVED
A	NEW DRAWING	10/03/2016	



NOTES:

1. ALL WELDS TO BE T.I.G.
2. FINISH - CLEAN AND He LEAK CHECK TO UHV STANDARDS.
3. FULL DESCRIPTION: ULTRA LOW PRESSURE BURST DISK WITH GRID ON DN63CF (114mm OD) FLANGE.

PARTS LIST

ITEM	PART NUMBER	DESCRIPTION	QTY
1	AL-979-4	FLANGE M/C DETAIL DN63-76	1
2		PRESSURE BURST DISK ULP + GRID	1

Material: SEE PARTS LIST	
Dimensions - mm Angular ± 0.5° Surface Finish 1.6µm	Third Angle Projection
Tolerances - Unless Stated Basic Size Limit	
0 - 18	± 0.10
18 - 120	± 0.15
120 - 315	± 0.20
315 - 630	± 0.35
630 - 1000	± 0.50
1000 - 2000	± 1.00

Designed by KJP	Checked by	Approved by	Date 10/03/2016	File Name AL-1293.dwg	Date 10/03/2016	
ALLECTRA LTD			PRESSURE BURST DISK - ULTRA LOW PRESSURE			
461-PBD-C63-ULPP			Edition A	Sheet 1 / 1		