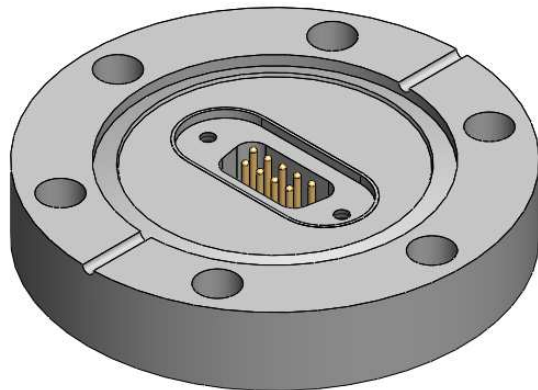
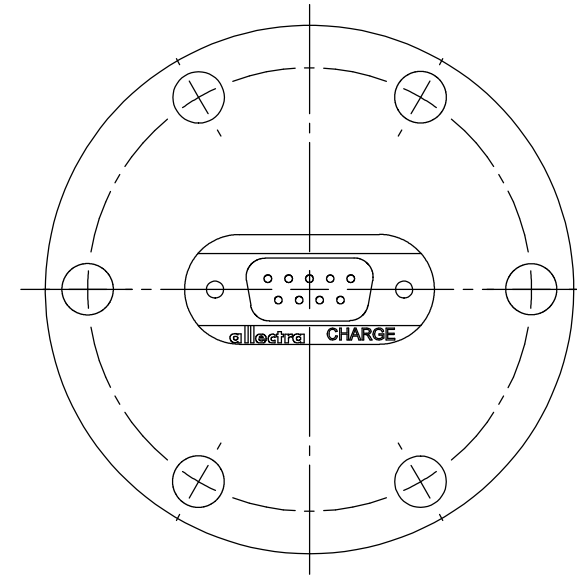
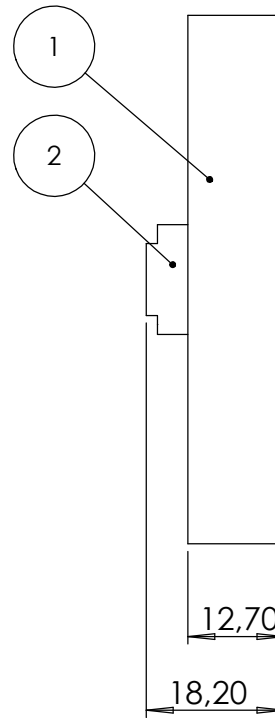
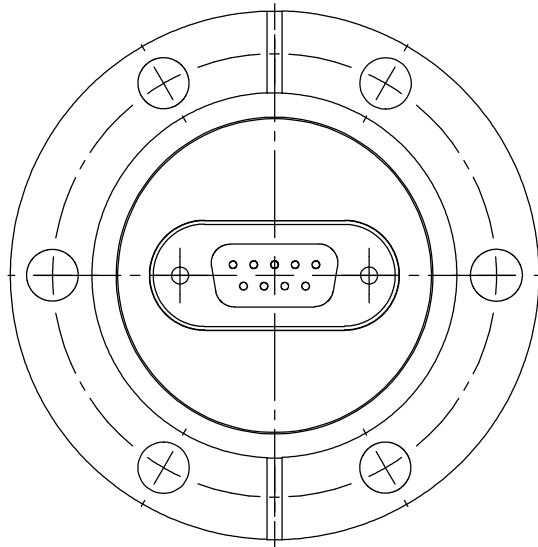


POS-NR.	DESCRIPTION	MATERIAL	QTY
1	modified flange DN40CF	1.4404 (316L)	1
2	9 pin SUB-D F/T	Stainless Steel	1



Bemerkungen (Remarks)				Freimaßtoleranz (Standard Toleranz)		Maßstab (Scale)		Rauheit (Roughness)		europ.Projektion	
HSG=38						1:1					
All informations provided in this drawing is considered to be confidential, proprietary and secret information. It is intended only for the use of individual or entity to whom it is sent. Individual or entity agrees to not disseminate or copy this information to anyone other than originally specified without the written consent Allectra GmbH.				Datum		Name		Material, Standard Oberfläche (Treatment)		Kanten (edges)	
				Design	16.12.2014	JB		Bezeichnung (Title) 1 of 9 pin SUB-D f/t on flange DN40 CF		Gewicht (weight) g	
				Drawn	25.02.2016	JB				361.86	
				Check						Page: 1	Pages: 1
								Zeichnungsnummer (Drawing No.) 210-D09-C40		Revision	
Index	Modification	Datum	Name					Datei (File) C:\PDMStore\C:\PDMStore\		Format A4	