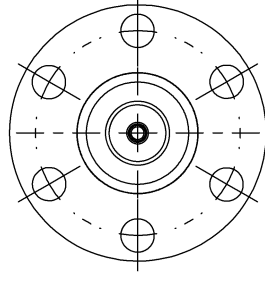
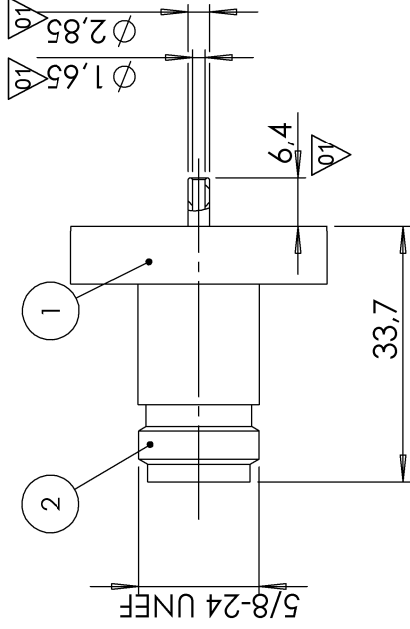
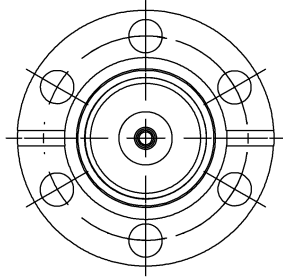
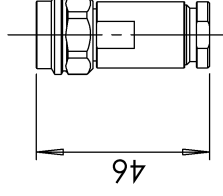


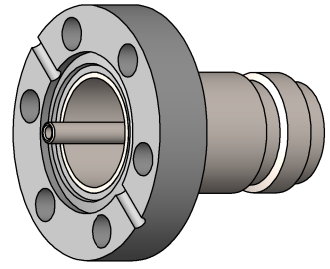
POS-NR.	DESCRIPTION	MATERIAL	QTY
1	modified flange DN16 Cf	1.4404 (316L)	1
2	coaxial f/i, type N, 3kV, 5A, 50 Ohm, grounded shield, weldable	Stainless Steel	1



SCALE 1:2



air side connector is included



Bemerkungen
(Remarks)

All informations provided in this drawing is considered to be confidential, proprietary and secret information. It is intended only for the use of individual or entity to whom it is sent. Individual or entity agrees to not disseminate or copy this information to anyone other than originally specified without the written consent Allectra GmbH.

Freimaßtoleranz (Standard Toleranz)	Maßstab (Scale)	Rauheit (Roughness)		europ. Projektion
		Material, Standard Oberfläche (Treatment)	Kanten (edges)	
1:1	1:1	Material, Standard Oberfläche (Treatment)	Kanten (edges)	europ. Projektion
Datum	Name	Bezeichnung		
Design 05.11.2014	JB	1 off coaxial f/i, type N, grounded shield,		
Drawn 29.04.2021	AD	on flange DN16 CF		
Check		Gewicht (weight)	9	
		141.55	141.55	
		Page:	1 1	
		Revision	01	
Zeichnungsnummer (Drawing No.)		242-N50-C16		
Datei (File)		c:\ppm_store\C:\ppm_store\		



Index	Modification	Datum	Name
01	internal change in N50 ft	03.09.2020	AD