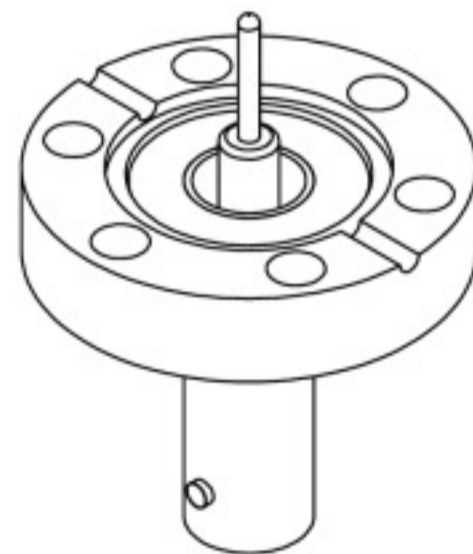
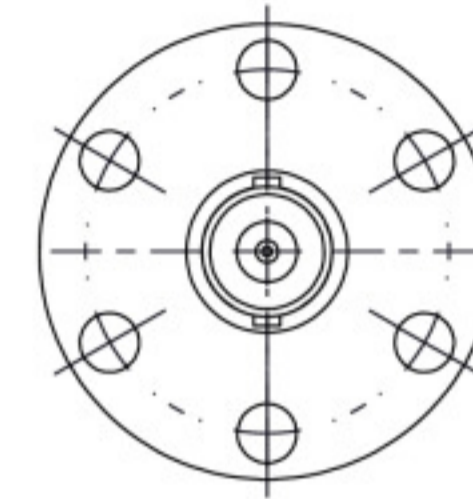
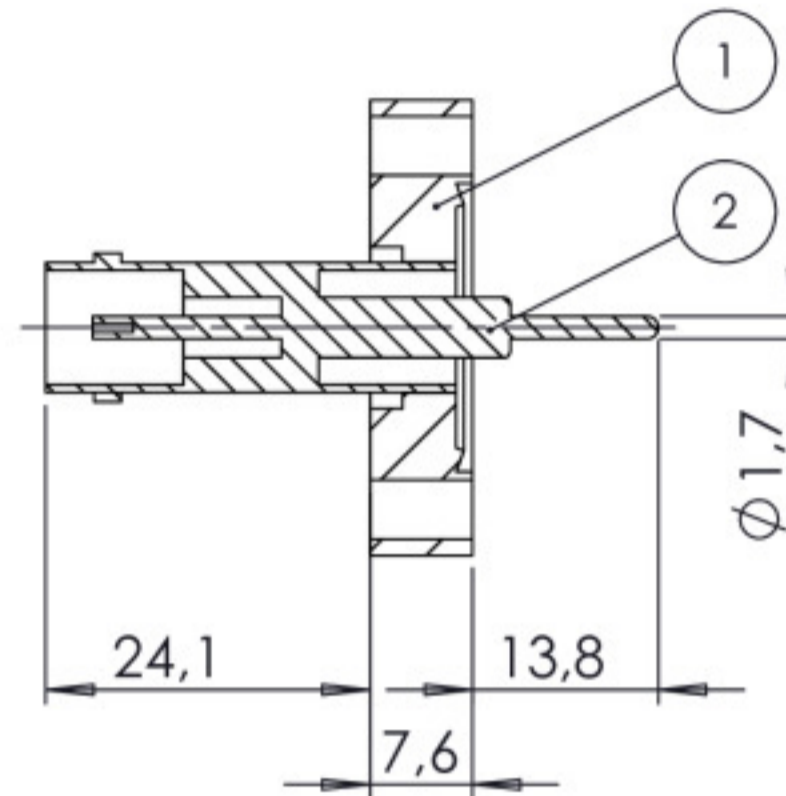
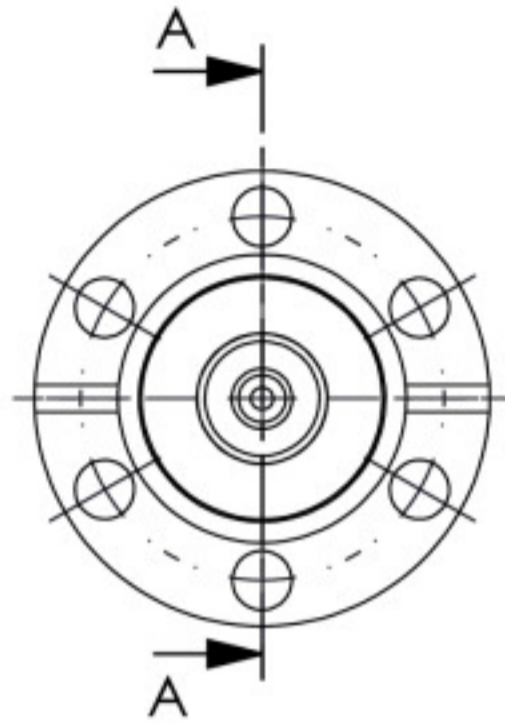


POS-NR.	DESCRIPTION	MATERIAL	QTY
1	Modified Flange DN16 CF	1.4404	1
2	SHV F/T, 50 Ohm Type	Stainless Steel	1

SCHNITT A-A



Bemerkungen (Remarks)				Freimaßtoleranz (Standard Toleranz)		Maßstab (Scale)		Rauheit (Roughness)		europ.Projektion	
All informations provided in this drawing is considered to be confidential, proprietary and secret information. It is intended only for the use of individual or entity to whom it is sent. Individual or entity agrees to not disseminate or copy this information to anyone other than originally specified without the written consent Allectra GmbH.				DIN ISO 2768 f-H		1:1					
				Material, Standard		Oberfläche (Treatment)		Kanten (edges)			
				Datum		Name		Bezeichnung (Title)		Gewicht (weight)	
				Design 09.12.2013		FW		1off SHV50 onto Flange DN16 CF		9	
				Drawn 09.12.2013		FW				50.84	
				Check 09.12.2013						Page: 1 Pages: 1	
								Zeichnungsnummer (Drawing No.)		Revision	
								242-SHV50-C16			
Index				Modification		Datum		Name		Datei (File) C:\PDMStore\C:\PDMStore\	
										Format A4	