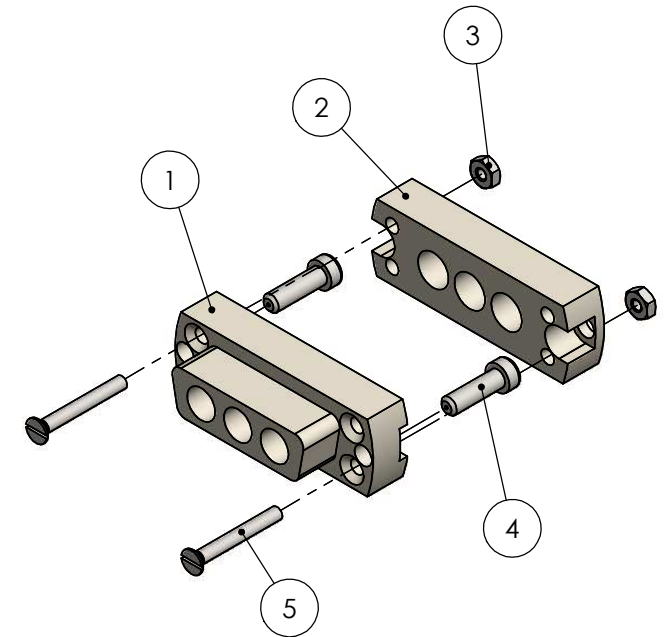
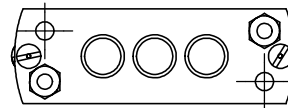
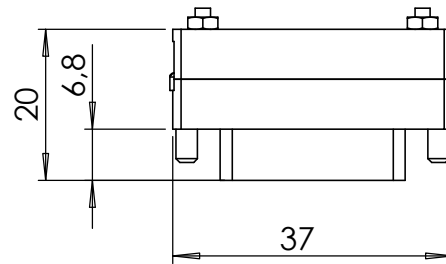
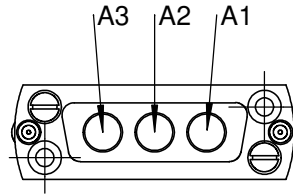
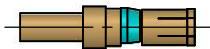


POS-NR.	DESCRIPTION	MATERIAL	QTY
1	Front plate for UHV-connector	PEEK	1
2	Back plate for UHV-connector	PEEK	1
3	Hexagon Nut M2 DIN934	Stainless Steel	2
4	Slotted Cheese Screw 4-40 UNC	1.4301 (X5CrNi18-10)	2
5	Countersunk M2x20	Stainless Steel	2



compatible contacts(shown below) are not included

Contact Power
212-POWER-F



Contact Coax
212-COAX-F



Bemerkungen
(Remarks)

All information provided in this drawing is considered to be confidential, proprietary and secret information. It is intended only for the use of individual or entity to whom it is sent. Individual or entity agrees to not disseminate or copy this information to anyone other than originally specified without the written consent from Allectra GmbH.

Freimaßtoleranz
(Standard Toleranz)

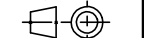
Maßstab
(Scale)

1:1

Rauheit (Roughness)



europ.Projektion



Material, Standard
Oberfläche
(Treatment)

Kanten (edges)
±0.1 ±0.25

Bezeichnung
(Title)

UHV connector, 3 pin,
for COAX and POWER

Gewicht
(weight) 9

16.44

Page: 1 Pages: 3

Datum Name

Design 27.01.2014 JB

Drawn 25.11.2020 AD

Check

Index Modification Datum Name

allectra

Zeichnungsnummer
(Drawing No.)

211-FX15-3X-PK

Datei (File) C:\PDM-Store\I:\PDM-Store\

Revision

Format **A4**