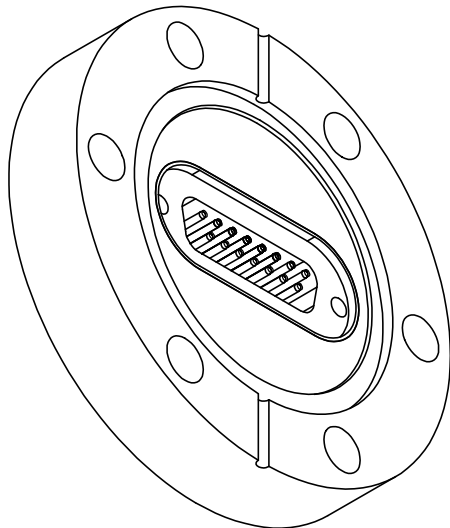
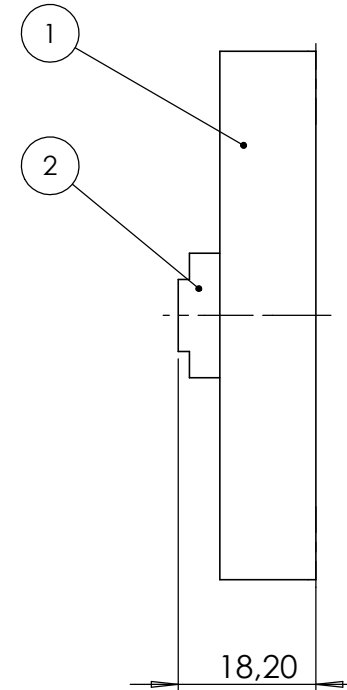
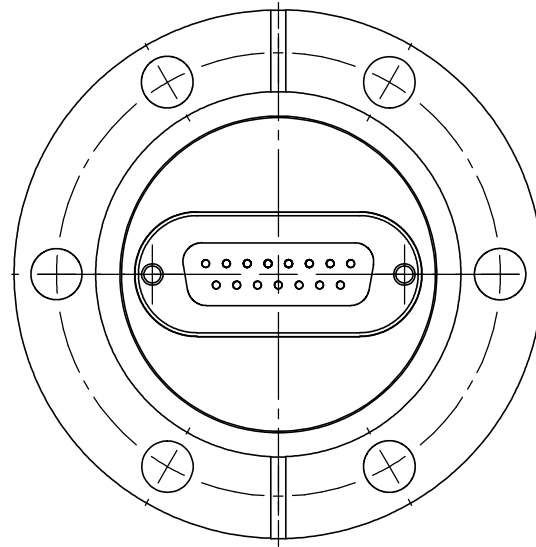


POS-NR.	DESCRIPTION	MATERIAL	QTY
1	Modified Blank Flange DN40CF	1.4404	1
2	Sub-D 15 pin F/T	Stainless Steel	1



Bemerkungen (Remarks)				Verw. 411-CFB40		Freimaßtoleranz (Standard Toleranz)		Maßstab (Scale)		Rauheit (Roughness)		europ.Projektion	
All informations provided in this drawing is considered to be confidential, proprietary and secret information. If is intended only for the use of individual or entity to whom it is sent. Individual or entity agrees to not disseminate or copy this information to anyone other than originally specified without the written consent Allectra GmbH.				Datum		Name		1:1		Material, Standard Oberfläche (Treatment)		Kanten (edges)	
				Design 27.09.2013		JB		Bezeichnung (Title)		±0,1		±0,25	
				Drawn 27.09.2013		JB		1 of 15 pin SUB-D F/t onto flange DN40CF		Gewicht (weight)		g	
				Check						343.58		Page: 1	
00				allectra		Zeichnungsnummer (Drawing No.)		210-D15-C40		Revision		00	
Index		Modification				Datum		Name		Datei (File)		C:\PDMStore\C\PDMStore\	